



MIAMI-DADE

BUILDING CODE COMPLIANCE OFFICE (BCCO)
PRODUCT CONTROL DIVISION

MIAMI-DADE COUNTY, FLORIDA
METRO-DADE FLAGLER BUILDING
140 WEST FLAGLER STREET, SUITE 1603
MIAMI, FLORIDA 33130-1563
(305) 375-2901 FAX (305) 375-2908

RECEIVED AUG 25 2004

NOTICE OF ACCEPTANCE (NOA)

R.C. Aluminum Industries, Inc.
2805 NW 75th Ave
Miami, FL 33122

SCOPE:

This NOA is being issued under the applicable rules and regulations governing the use of construction materials. The documentation submitted has been reviewed by Miami-Dade County Product Control Division and accepted by the Board of Rules and Appeals (BORA) to be used in Miami Dade County and other areas where allowed by the Authority Having Jurisdiction (AHJ).

This NOA shall not be valid after the expiration date stated below. The Miami-Dade County Product Control Division (In Miami Dade County) and/or the AHJ (in areas other than Miami Dade County) reserve the right to have this product or material tested for quality assurance purposes. If this product or material fails to perform in the accepted manner, the manufacturer will incur the expense of such testing and the AHJ may immediately revoke, modify, or suspend the use of such product or material within their jurisdiction. BORA reserves the right to revoke this acceptance, if it is determined by Miami-Dade County Product Control Division that this product or material fails to meet the requirements of the applicable building code.

This product is approved as described herein, and has been designed to comply with the Florida Building Code, including the High Velocity Hurricane Zone.

DESCRIPTION: Series RD45 Aluminum Entrance Door- L.M.I.

APPROVAL DOCUMENT: Drawing No. W04-37, titled "Series RD45 Alum Entrance Door (L.M.I.)", sheets 1 through 7 of 7, prepared by the AL-Farooq Corporation, dated 05/09/04 with revision "A" on 07/09/04, signed and sealed by Humayoun Farooq, P.E., bearing the Miami-Dade County Product Control Approval stamp with the Notice of Acceptance number and approval date by the Miami-Dade County Product Control Division.

MISSILE IMPACT RATING: Large and Small Missile Impact

LABELING: Each unit shall bear a permanent label with the manufacturer's name or logo, city, state and following statement: "Miami-Dade County Product Control Approved", unless otherwise noted herein.

RENEWAL of this NOA shall be considered after a renewal application has been filed and there has been no change in the applicable building code negatively affecting the performance of this product.

TERMINATION of this NOA will occur after the expiration date or if there has been a revision or change in the materials, use, and/or manufacture of the product or process. Misuse of this NOA as an endorsement of any product, for sales, advertising or any other purposes shall automatically terminate this NOA. Failure to comply with any section of this NOA shall be cause for termination and removal of NOA.

ADVERTISEMENT: The NOA number preceded by the words Miami-Dade County, Florida, and followed by the expiration date may be displayed in advertising literature. If any portion of the NOA is displayed, then it shall be done in its entirety.

INSPECTION: A copy of this entire NOA shall be provided to the user by the manufacturer or its distributors and shall be available for inspection at the job site at the request of the Building Official.

This NOA consists of this page 1 and evidence page E-1, and E-2, as well as approval document mentioned above. The submitted documentation was reviewed by **Herminio F. Gonzalez, P.E., Director, BCCO**



NOA No 04-0608.03
Expiration Date: August 19, 2009
Approval Date: August 19, 2004
Page 1

R.C. Aluminum Industries, Inc.

NOTICE OF ACCEPTANCE: EVIDENCE SUBMITTED

A. DRAWINGS

1. Manufacturer's die drawings and sections.
2. Drawing No. **W04-37**, titled "Series RD45 Alum Entrance Door (L.M.I.)", sheets 1 through 7 of 7, prepared by the AL-Farooq Corporation, dated 05/09/04 with revision "A" on 07/09/04, signed and sealed by Humayoun Farooq, P.E.

B. TESTS

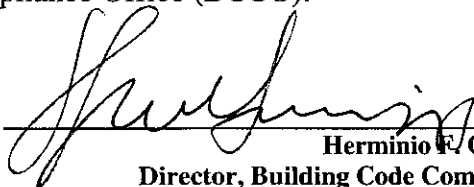
1. Test reports on
 - 1) Air Infiltration Test, per FBC, TAS 202-94
 - 2) Uniform Static Air Pressure Test, per FBC, TAS 202-94
 - 3) Water Resistance Test, per FBC, TAS 202-94
 - 4) Large Missile Impact Test per FBC, TAS 201-94
 - 5) Cyclic Wind Pressure Loading per FBC, TAS 203-94
 - 6) Forced Entry Test, per FBC 2411 3.2.1 and TAS 202-94along with marked-up drawings and installation diagram of aluminum entrance door, prepared by Fenestration Testing Laboratory, Inc., Test Reports No. **FTL-4155**, dated March 30, 2004, signed and sealed by Edmundo Largaespada, P. E.
2. Test reports on
 - 1) Large Missile Impact Test per FBC, TAS 201-94
 - 2) Cyclic Wind Pressure Loading per FBC, TAS 203-94along with marked-up drawings and installation diagram of aluminum entrance door, prepared by Fenestration Testing Laboratory, Inc., Test Reports No. **FTL-4166**, dated March 31, 2004, signed and sealed by Edmundo Largaespada, P. E.
3. Test reports on
 - 1) Air Infiltration Test, per FBC, TAS 202-94
 - 2) Uniform Static Air Pressure Test, per FBC, TAS 202-94
 - 3) Water Resistance Test, per FBC, TAS 202-94
 - 4) Large Missile Impact Test per FBC, TAS 201-94
 - 5) Cyclic Wind Pressure Loading per FBC, TAS 203-94
 - 6) Forced Entry Test, per FBC 2411 3.2.1 and TAS 202-94along with marked-up drawings and installation diagram of aluminum entrance door, prepared by Fenestration Testing Laboratory, Inc., Test Reports No. **FTL-4154**, dated March 24, 2004, signed and sealed by Edmundo Largaespada, P. E.

C. CALCULATIONS

1. Anchor Calculations, ASTM-E 1300, and structural analysis, prepared by AL-Farooq Corporation, dated June 01, 2004, signed and sealed by Humayoun Farooq, P.E.

D. QUALITY ASSURANCE

1. Miami Dade Building Code Compliance Office (BCCO).



Herminio F. Gonzalez, P.E.
Director, Building Code Compliance Office

NOA No 04-0608.03

Expiration Date: August 19, 2009

Approval Date: August 19, 2004

R.C. Aluminum Industries, Inc.

NOTICE OF ACCEPTANCE: EVIDENCE SUBMITTED

E. MATERIAL CERTIFICATIONS

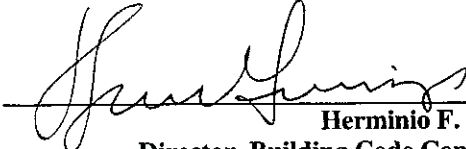
1. Notice of Acceptance No. **00-1212.0403** issued to E.I. DuPont DeNemours for "Dupont Butacite PVB", expiring on 12/11/2005.

F. STATEMENTS

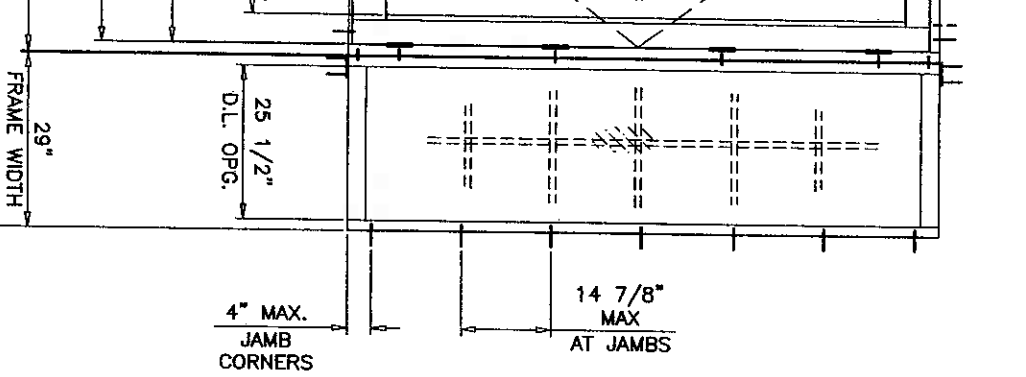
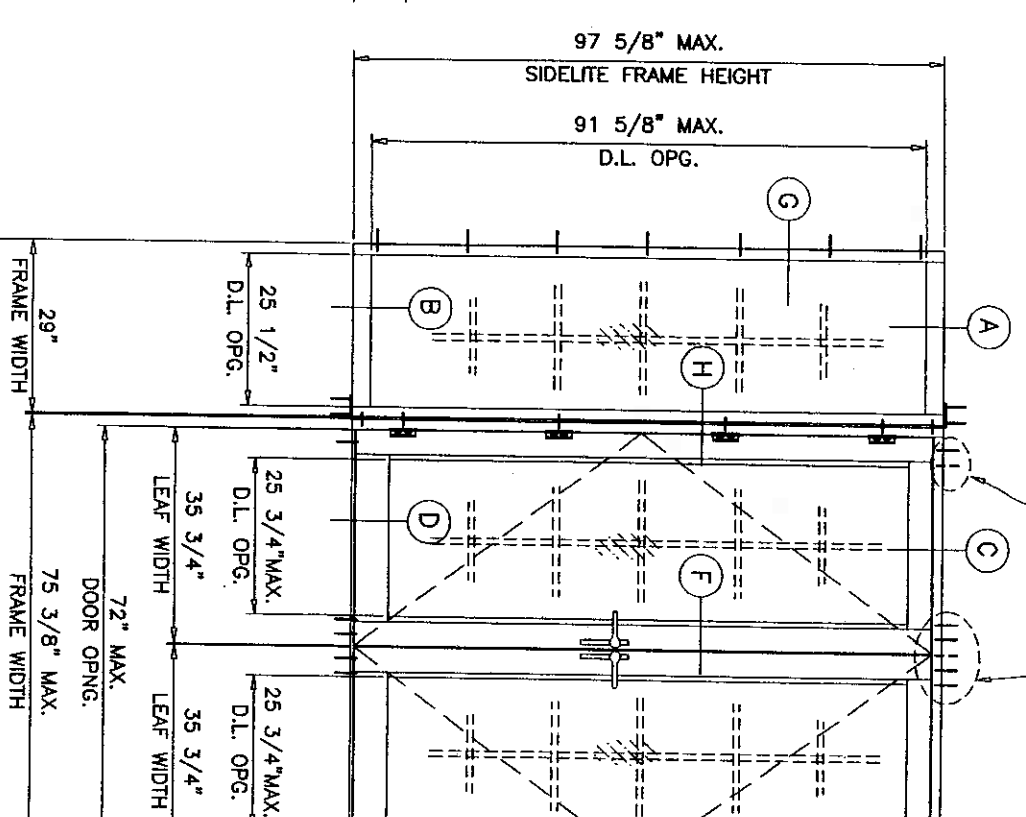
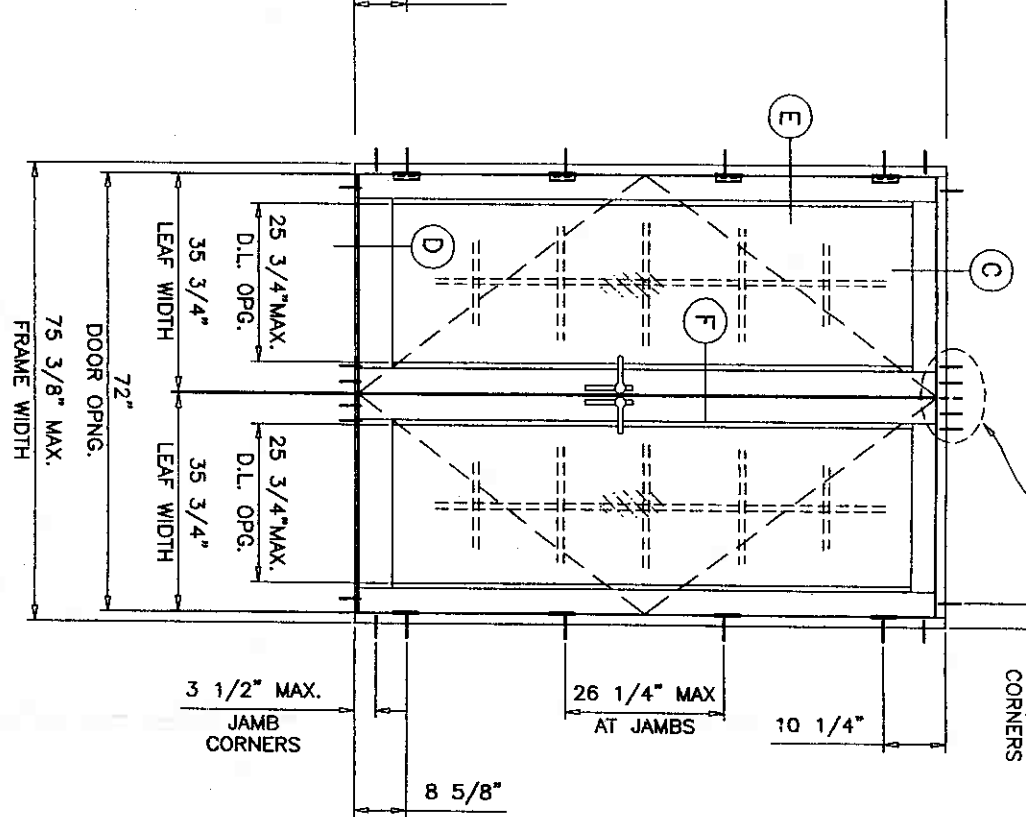
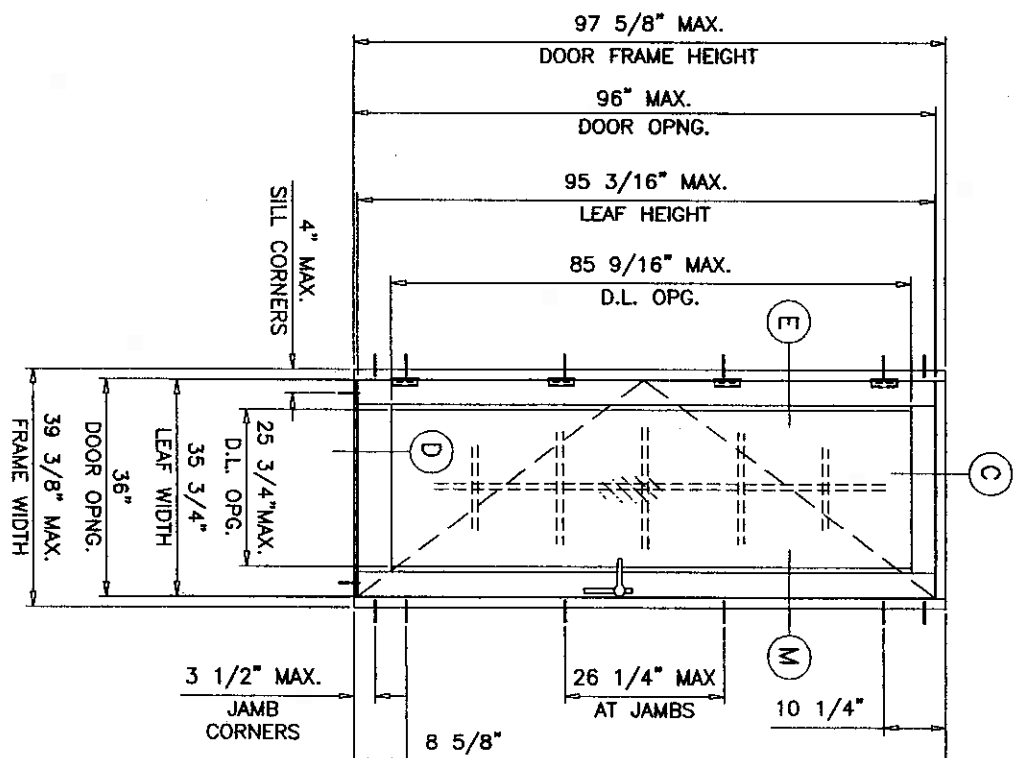
1. Statement letter of code compliance, dated May 29, 2004 signed and sealed by Humayoun Farooq, P.E.
2. Statement letter of no financial interest, dated May 29, 2004 signed and sealed by Humayoun Farooq, P.E.

G. OTHER:

1. Letter from consultant stating that the product is in compliance with the Florida Building Code (FBC).



Herminio F. Gonzalez, P.E.
Director, Building Code Compliance Office
NOA No 04-0608.03
Expiration Date: August 19, 2009
Approval Date: August 19, 2004



ANCHORS AT MTG. STILE ENDS
(3) REED. FOR WOOD INSTALLATIONS
(4) REED. FOR CONC. INSTALLATIONS

ANCHORS
(2) REED. FOR WOOD INSTALLATIONS
(1) REED. FOR CONC. INSTALLATIONS

ANCHORS AT MTG. STILE ENDS
(5) REED. FOR WOOD INSTALLATIONS
(4) REED. FOR CONC. INSTALLATIONS

Approved as complying with the
Florida Building Code
Date 08/19/04
NOA# 04-0600-03
Miami Inspec-Product Control
Division
By *[Signature]*

SERIES RD45 ALUM ENTRANCE DOOR

THESE PRODUCTS GLAZED WITH LAMINATED GLASS RATED FOR LARGE MISSILE IMPACT AND REQUIRE NO SHUTTERS.

APPROVAL APPLIES TO SINGLE (X) AND DOUBLE (XX) LEAF DOORS WITH OR WITHOUT TRANSOMS.
ALSO SINGLE (X) AND DOUBLE (XX) DOORS WITH SIDELITES, SIDE LITES CAN BE ON ONE OR BOTH SIDES OF DOOR.

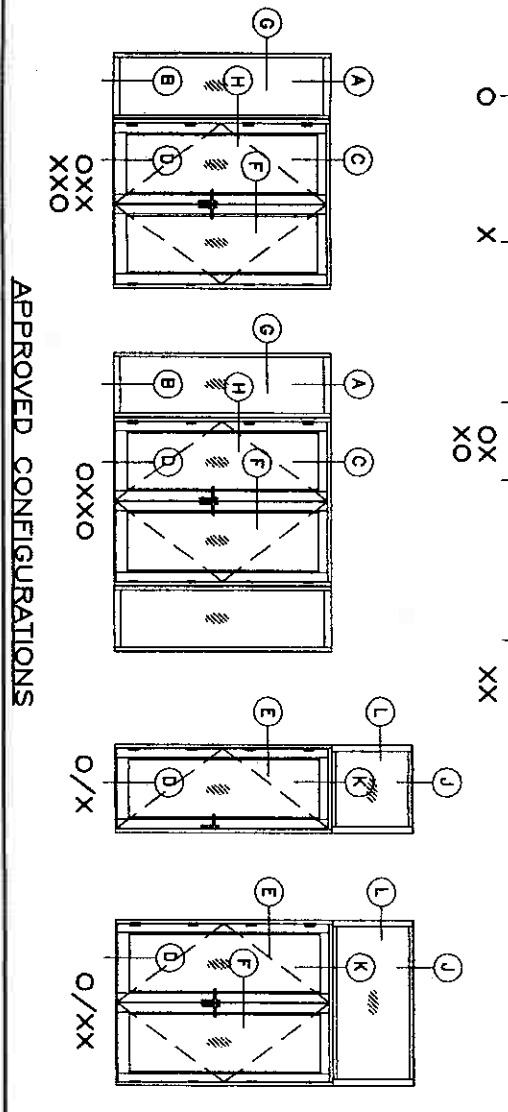
THIS PRODUCT IS DESIGNED TO COMPLY WITH THE HIGH VELOCITY HURRICANE ZONE OF THE 2001 FLORIDA BUILDING CODE.

WOOD BUCKS BY OTHERS, MUST BE ANCHORED PROPERLY TO TRANSFER LOADS TO THE STRUCTURE.

ANCHORS SHALL BE AS LISTED, SPACED AS SHOWN ON DETAILS. ANCHOR EMBEDMENT TO BASE MATERIAL SHALL BE BEYOND WALL DRESSING OR STUCCO.

ANCHORING OR LOADING CONDITIONS NOT SHOWN IN THESE DETAILS ARE NOT PART OF THIS APPROVAL.
A 33% INCREASE IN ALLOWABLE STRESS WAS USED IN DESIGN OF ANCHORS.

MAXIMUM DESIGN LOAD RATING = + 80.0 PSF
(FOR SIZES SHOWN ABOVE OR SMALLER) - 80.0 PSF



APPROVED CONFIGURATIONS

Engr. DR. HUMAYOUN FAROOQ
STRUCTURES
FLA. P.E. # 18557
C.A.N. # 3538
JUL 15 2004

date: 05-09-04 scale: 3/8"=1'-0" dr. by: HAMID chk. by:	revisions: <table border="1"> <tr> <th>no</th> <th>date</th> <th>by</th> <th>description</th> </tr> <tr> <td>A</td> <td>07.09.04</td> <td></td> <td>REV. PER BCCO COMMENTS</td> </tr> </table>	no	date	by	description	A	07.09.04		REV. PER BCCO COMMENTS	SERIES RD45 ALUM ENTRANCE DOOR (L.M.I.) R.C. ALUMINUM INDUSTRIES INC. 2805 N.W. 75 TH AVE. MIAMI, FL. 33122 TEL. (305) 592-1515 FAX. (305) 592-2184	AL-FAROOQ CORPORATION ENGINEERS, PLANNERS & PRODUCT DESIGN 1235 SW 87 AVE MIAMI, FLORIDA 33174 TEL. (305) 264-8100 FAX. (305) 262-6978	
no	date	by	description									
A	07.09.04		REV. PER BCCO COMMENTS									

RECEIVED AUG 25 2004

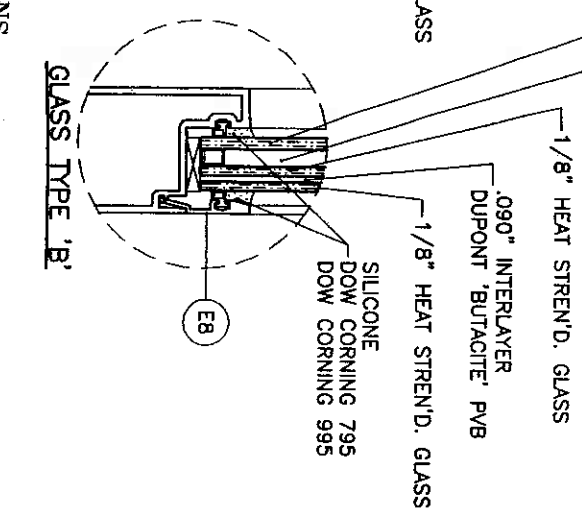
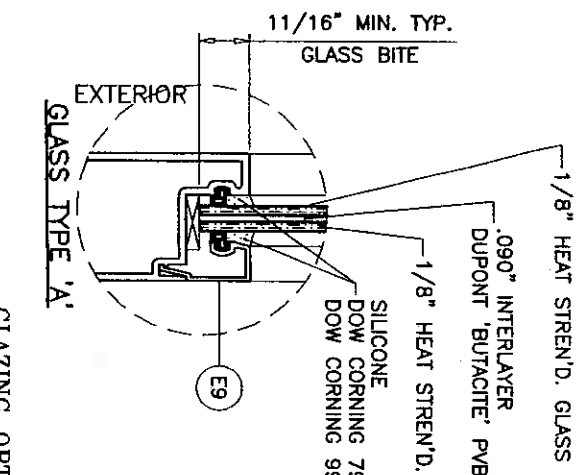
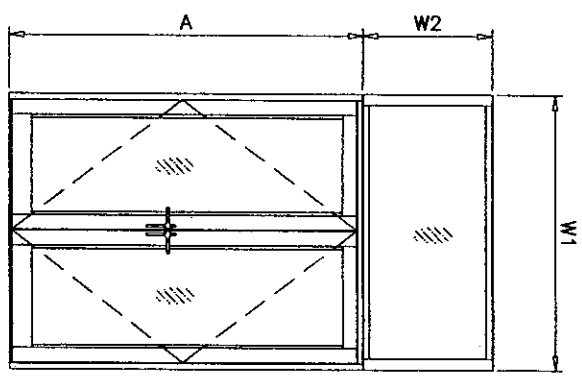
COMP-ANL\W04-37RC

SINGLE OR DOUBLE ENTRANCE DOORS WITH TRANSOMS

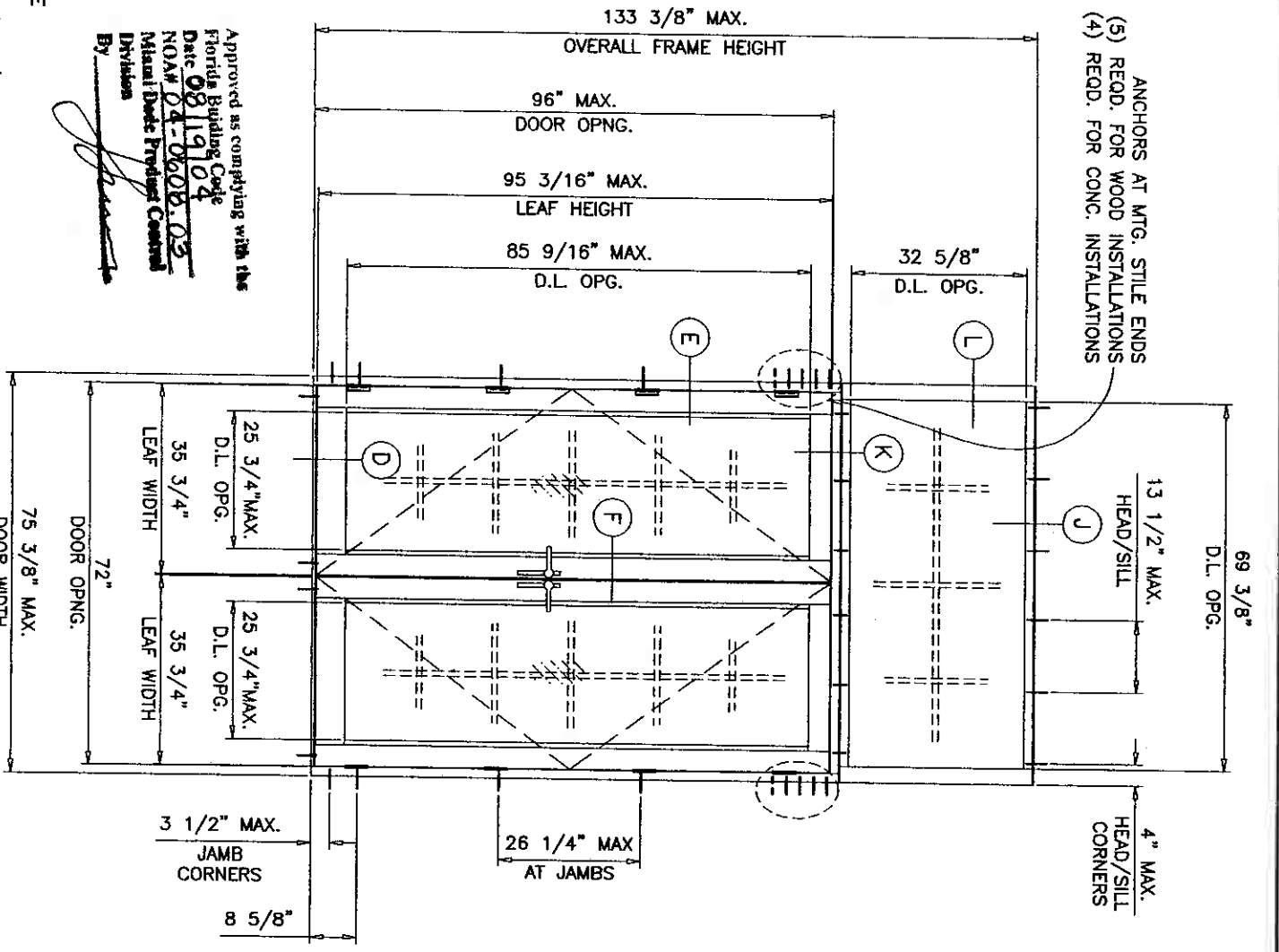
WIDTH-W1 INCHES	WIDTH-W2 INCHES	DOOR HEIGHT-A INCHES	GLASS TYPE 'A'	GLASS TYPE 'B'
51-3/8	30	80	80.0	80.0
51-3/8	37-5/8	80	80.0	80.0
51-3/8	43-5/8	80	80.0	80.0
57-3/8	24	80	80.0	80.0
57-3/8	30	80	80.0	80.0
57-3/8	37-5/8	80	80.0	80.0
57-3/8	43-5/8	80	80.0	80.0
63-3/8	24	80	80.0	80.0
63-3/8	30	80	80.0	80.0
63-3/8	37-5/8	80	80.0	80.0
63-3/8	43-5/8	80	80.0	80.0
69-3/8	24	80	80.0	80.0
69-3/8	30	80	80.0	80.0
69-3/8	37-5/8	80	80.0	80.0
75-3/8	24	80	80.0	80.0
75-3/8	30	80	80.0	80.0
75-3/8	37-5/8	80	80.0	80.0

SINGLE OR DOUBLE ENTRANCE DOORS WITH TRANSOMS

WIDTH-W1 INCHES	WIDTH-W2 INCHES	DOOR HEIGHT-A INCHES	GLASS TYPE 'A'	GLASS TYPE 'B'
51-3/8	30	90	80.0	80.0
51-3/8	37-5/8	90	80.0	80.0
51-3/8	43-5/8	90	80.0	80.0
57-3/8	24	90	80.0	80.0
57-3/8	30	90	80.0	80.0
57-3/8	37-5/8	90	80.0	80.0
57-3/8	43-5/8	90	80.0	80.0
63-3/8	24	90	80.0	80.0
63-3/8	30	90	80.0	80.0
63-3/8	37-5/8	90	80.0	80.0
63-3/8	43-5/8	90	80.0	80.0
69-3/8	24	90	80.0	80.0
69-3/8	30	90	80.0	80.0
69-3/8	37-5/8	90	80.0	80.0
75-3/8	24	90	80.0	80.0
75-3/8	30	90	80.0	80.0
75-3/8	37-5/8	90	80.0	80.0



GLAZING OPTIONS



Approved as complying with the Florida Building Code
 Date 08/19/04
 N/A# 04-0602.05
 Mutual Back Product Control Division
 By *[Signature]*

ANCHORS AT MTG. STILE ENDS
 (5) REQD. FOR WOOD INSTALLATIONS
 (4) REQD. FOR CONC. INSTALLATIONS

Engr. DR. HUMAYOON FAROOQ
 STRUCTURES
 F.L.A. PE # 18557
 C.A.N. # 3538

1111 1 K 2004

date: 05-09-04
 scale: 3/8"=1'-0"
 dr. by: HAMID
 chk. by:

no	date	by	description
A	07.09.04		REV. PER BCCO COMMENTS

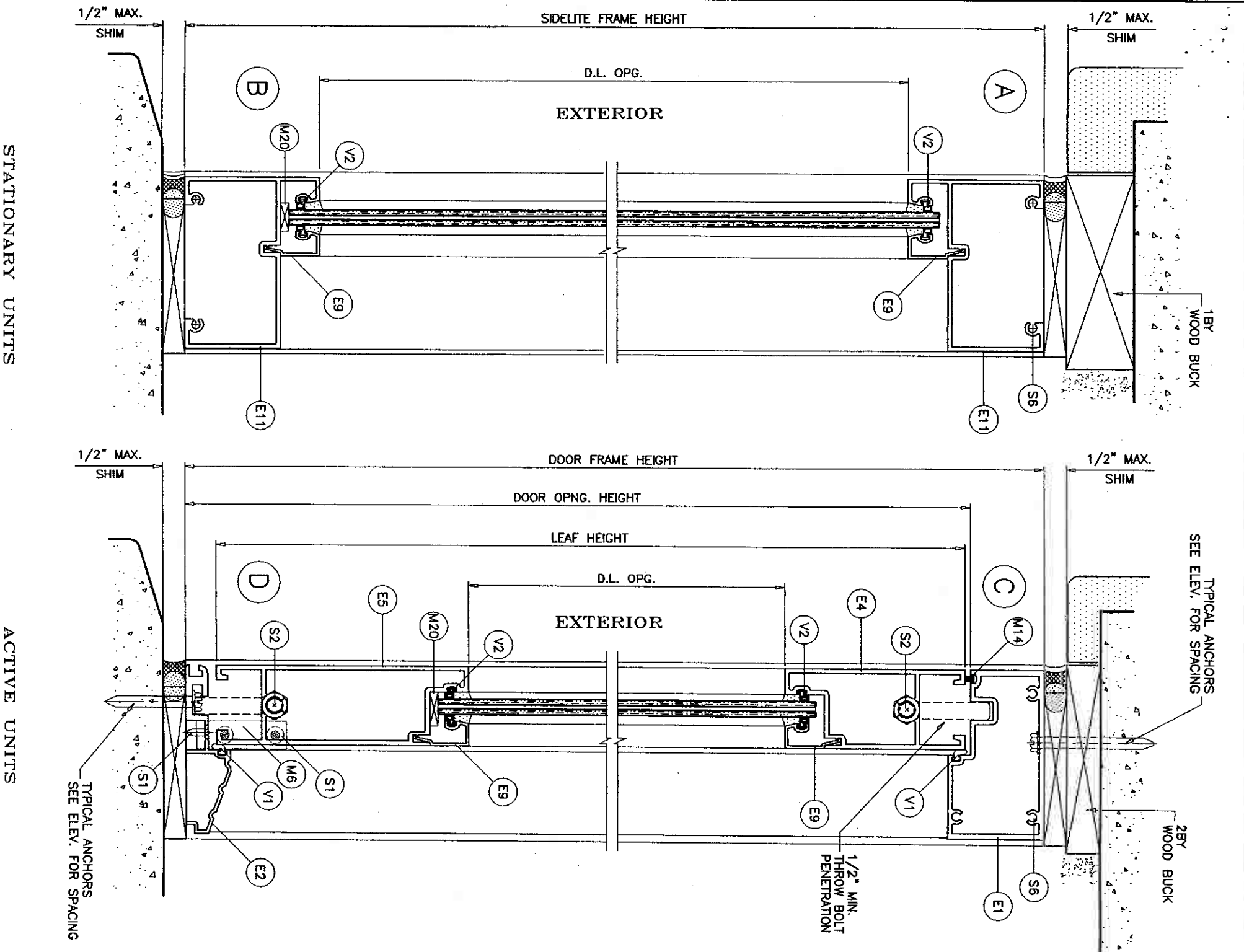
SERIES RD45 ALUM ENTRANCE DOOR (L.M.I.)
R.C. ALUMINUM INDUSTRIES INC.
 2805 N.W. 75 TH AVE.
 MIAMI, FL. 33122
 TEL. (305) 592-1515 FAX. (305) 592-2184

AL-FAROOQ CORPORATION
 ENGINEERS, PLANNERS & PRODUCT DESIGN
 1235 SW 87 AVE
 MIAMI, FLORIDA 33174
 TEL. (305) 264-8100 FAX. (305) 262-6978



COMP-ANL\W04-37RC

Sheet 2 of 7



WOOD BUCKS NOT BY RC ALUMINUM, MUST SUSTAIN LOADS IMPOSED BY GLAZING SYSTEM AND TRANSFER THEM TO THE BUILDING STRUCTURE.

TYPICAL ANCHORS: SEE ELEV. FOR SPACING

TYPE 'A' 1/4" DIA. HILTI KWIK-CON II

INTO 2BY WOOD BUCKS OR WOOD STRUCTURES

1-1/2" MIN. WOOD PENETRATION

THRU 1BY WOOD BUCKS INTO MASONRY OR CONC.

1-1/4" MIN. EMBED INTO MASONRY OR CONC.

TYPE 'B' 1/4" DIA. HILTI KWIK-CON II

DIRECTLY INTO MASONRY OR CONCRETE

1-1/4" MIN. EMBED INTO MASONRY OR CONCRETE

TYPE 'C' #14" TEKS OR SELF DRILLING SCREWS

INTO METAL STRUCTURES (1/8" MIN. THICKNESS)

INTO APPROVED MULLIONS (NO SHIM SPACE)

TYPICAL EDGE DISTANCE

INTO CONCRETE AND MASONRY = 3" MIN.

INTO WOOD STRUCTURE = 1" MIN.

SEALANTS:

ALL FRAME AND PANEL JOINT, INSTALLATION SCREWS AND HEADS OF ANCHOR SCREWS AT SILL TO BE SEALED WITH WHITE/ALUM COLORED SILICONE.

LOCK OPTIONS SINGLE DOORS:

OPTION #1:

3 POINT LOCK SYSTEM BY 'ROTO HARDWARE' WITH SURFACE MOUNT HANDLE AT 36" FROM BOTTOM AND DEAD BOLT LOCKSET AT 32" FROM BOTTOM KEY OPERATED ON EXTERIOR AND THUMB TURN ON INTERIOR.

OPTION #2:

3 POINT LOCK SYSTEM BY 'HOPPE' WITH SURFACE MOUNT HANDLE AT 36" FROM BOTTOM AND DEAD BOLT LOCKSET AT 32-1/2" FROM BOTTOM KEY OPERATED ON EXTERIOR AND THUMB TURN ON INTERIOR.

LOCK OPTIONS DOUBLE DOORS:

OPTION #1:

3 POINT LOCK SYSTEM BY 'ROTO HARDWARE' WITH SURFACE MOUNT HANDLE AT 36" FROM BOTTOM AND DEAD BOLT LOCKSET AT 32" FROM BOTTOM KEY OPERATED ON EXTERIOR AND THUMB TURN ON INTERIOR.

OPTION #2:

3 POINT LOCK SYSTEM BY 'HOPPE' WITH SURFACE MOUNT HANDLE AT 36" FROM BOTTOM AND DEAD BOLT LOCKSET AT 32-1/2" FROM BOTTOM KEY OPERATED ON EXTERIOR AND THUMB TURN ON INTERIOR.

INACTIVE LEAF

2 POINT LOCK SYSTEM BY 'HOPPE' WITH SURFACE MOUNT HANDLE AT 36" FROM BOTTOM

Approved as complying with the Florida Building Code
 Date 08/19/04
 NOA# 02-00003-02
 Miami Dade Product Control
 Division
 By *[Signature]*

Engr. DR. HUKAYOUN FAROOQ
 STRUCTURES
 FLA. PE # 16557
 C.A.N. 5538

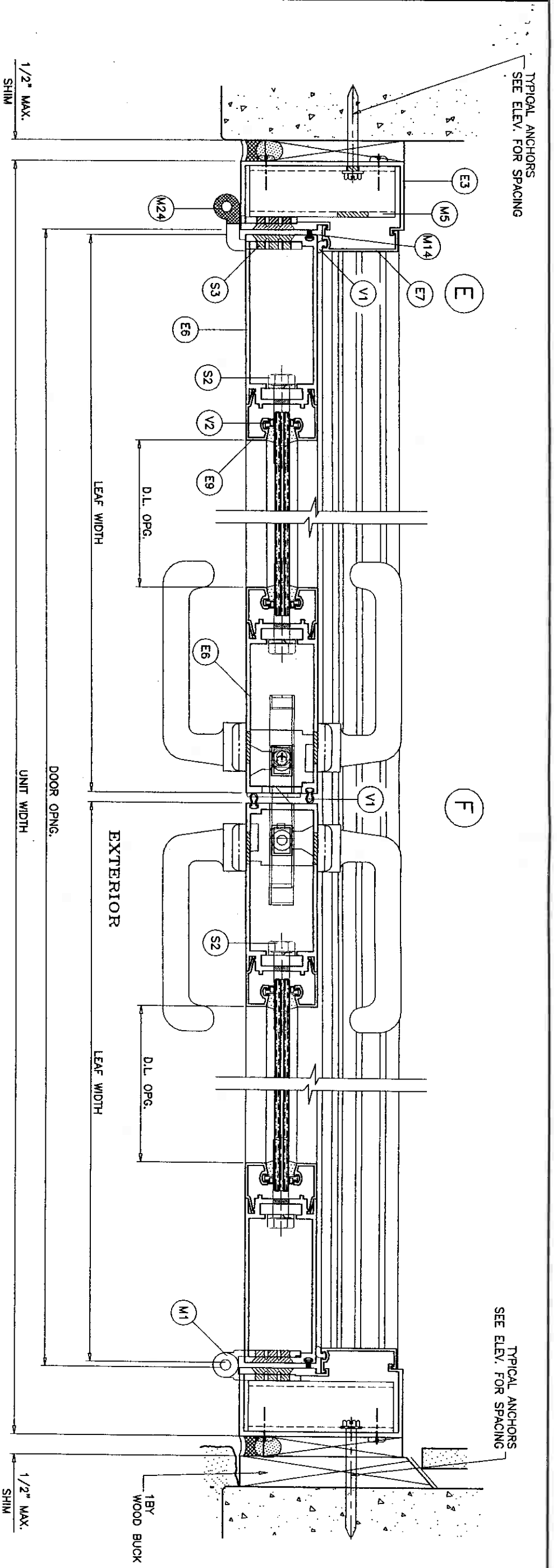
1111 1 5 2004

drawing no. W04-37	date: 05-09-04 scale: 3/8" = 1" dr. by: HAMID chk. by:	revisions: <table border="1"> <tr> <th>no</th> <th>date</th> <th>by</th> <th>description</th> </tr> <tr> <td>A</td> <td>07.09.04</td> <td></td> <td>REV. PER BCCO COMMENTS</td> </tr> </table>	no	date	by	description	A	07.09.04		REV. PER BCCO COMMENTS	SERIES RD45 ALUM ENTRANCE DOOR (L.M.I.) R.C. ALUMINUM INDUSTRIES INC. 2805 N.W. 75 TH AVE. MIAMI, FL. 33122 TEL (305) 592-1515 FAX. (305) 592-2184	AL-FAROOQ CORPORATION ENGINEERS, PLANNERS & PRODUCT DESIGN 1235 SW 87 AVE MIAMI, FLORIDA 33174 TEL (305) 264-8100 FAX. (305) 262-6978 COMP-ANL\W04-37RC
no	date	by	description									
A	07.09.04		REV. PER BCCO COMMENTS									



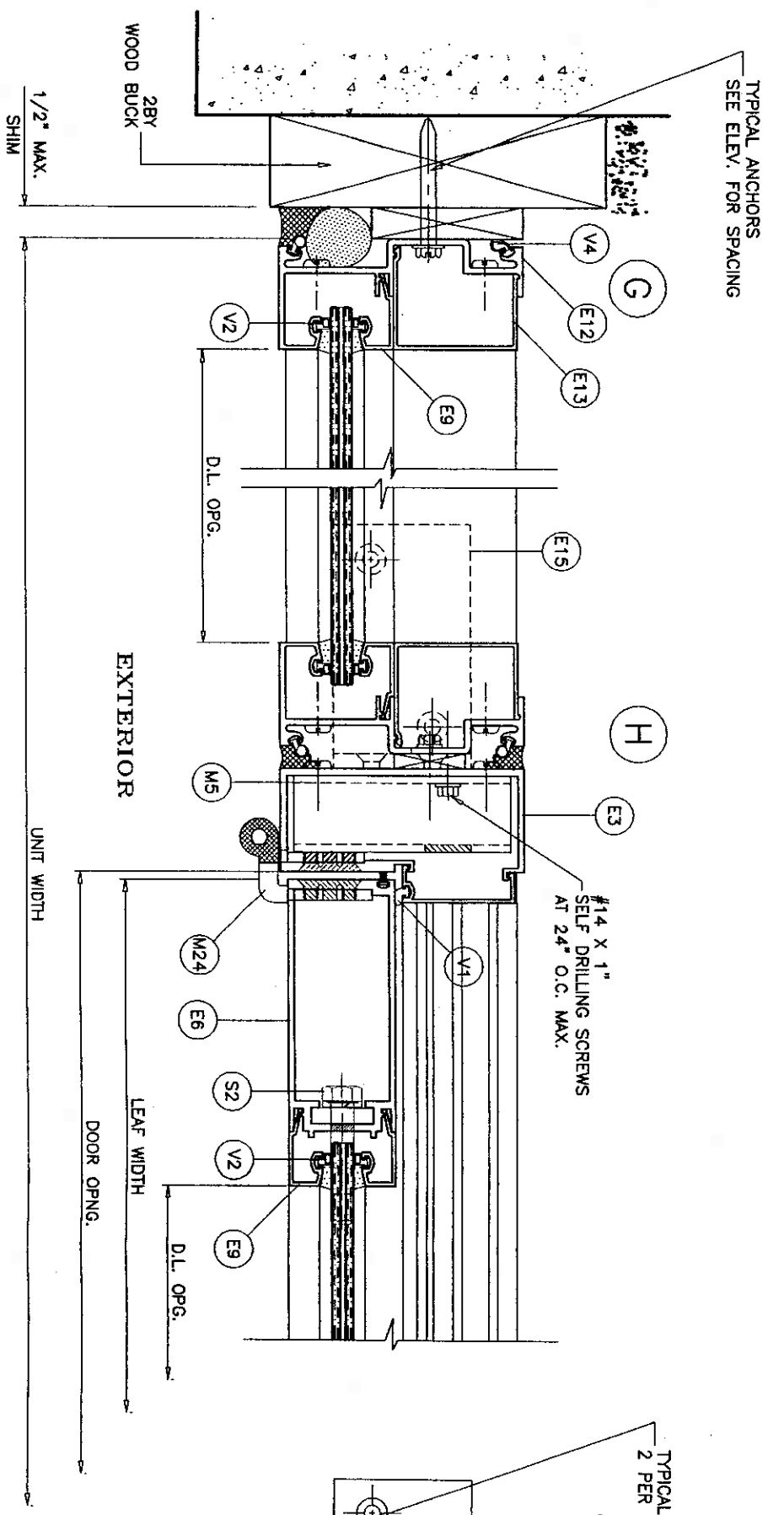
STATIONARY UNITS

ACTIVE UNITS



TYPICAL ANCHORS
SEE ELEV. FOR SPACING

TYPICAL ANCHORS
SEE ELEV. FOR SPACING



TYPICAL ANCHORS
SEE ELEV. FOR SPACING

#14 X 1\"/>

TYPICAL ANCHORS
2 PER CLIP
2 X 4 X 1/4\"/>

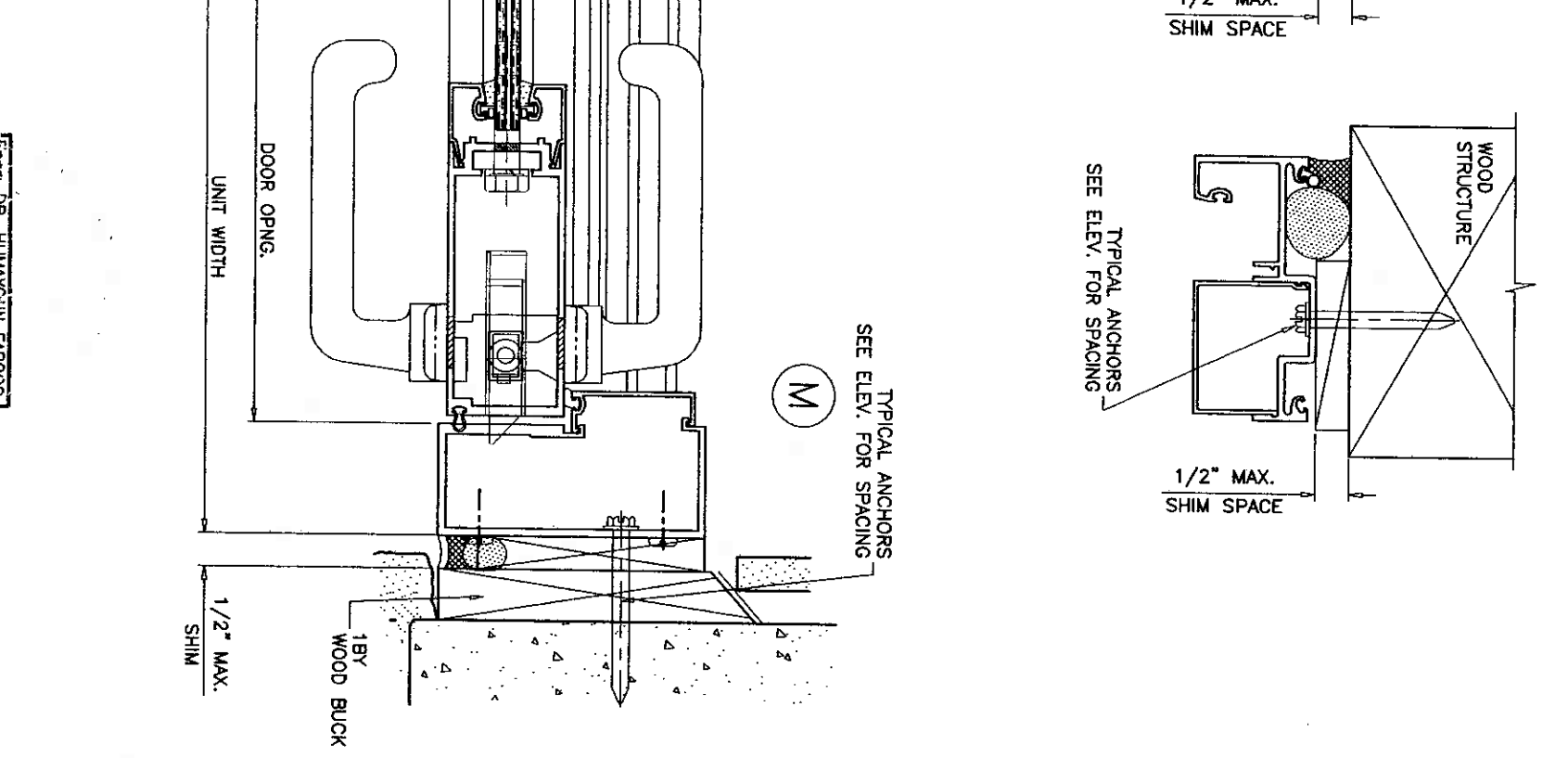
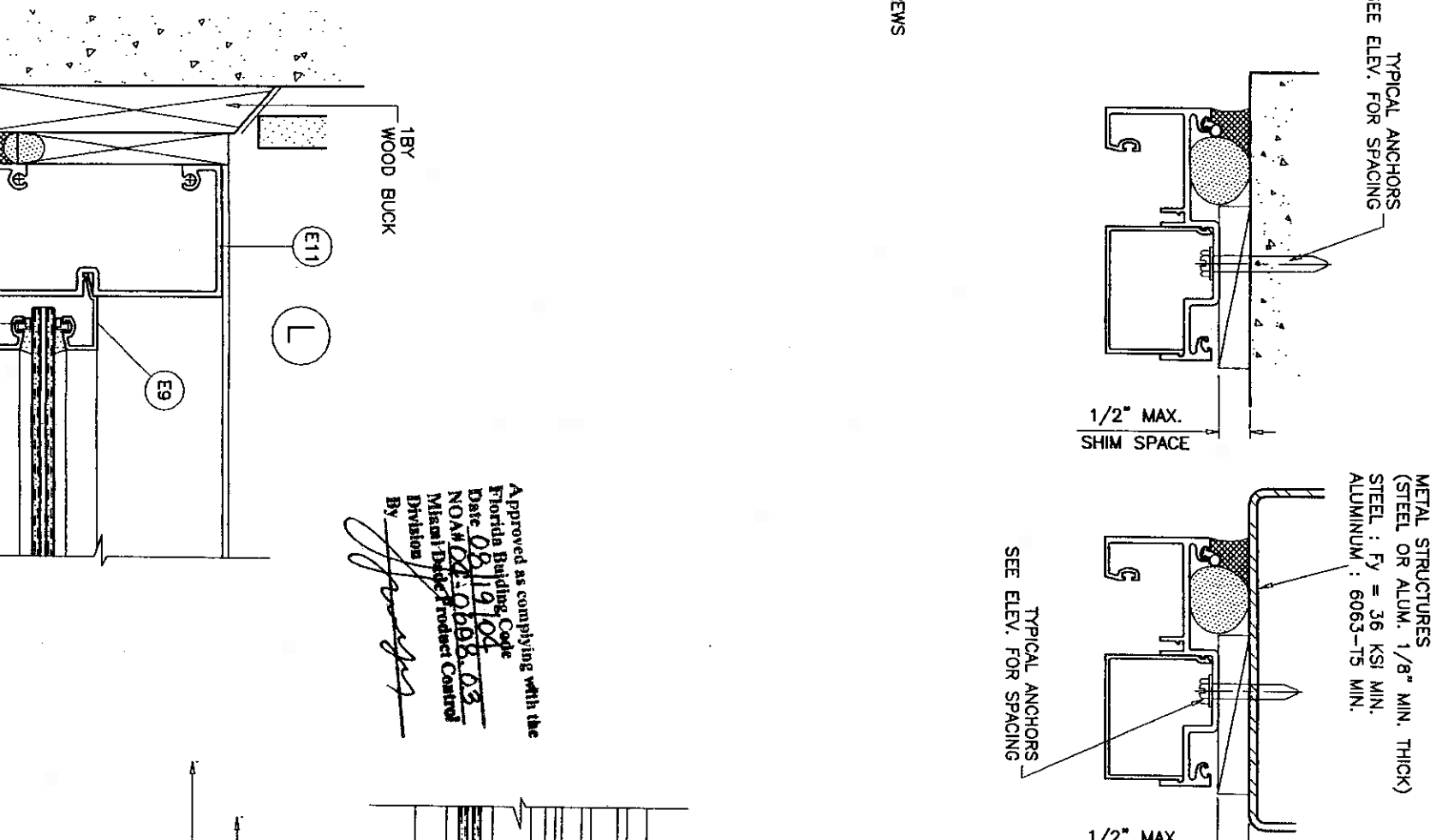
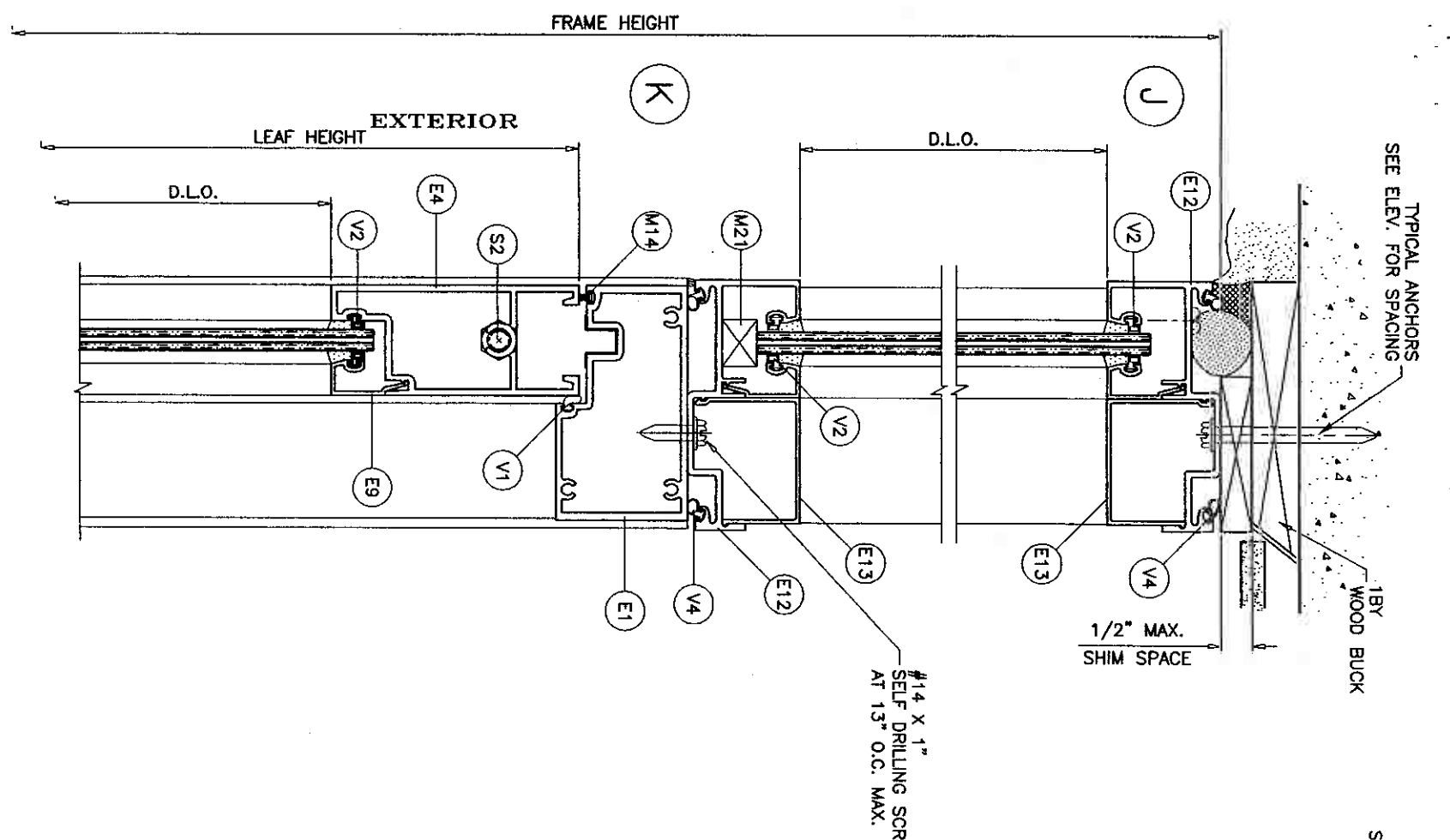
1/4-20 X 1\"/>

Approved as complying with the
Florida Building Code
Date 08/19/04
NOAH 04-0008.03
Miami Beach Product Control
Division
By *[Signature]*

Engr. DR. HUMAYOON FAROOQ
STRUCTURES
FLA. PE # 18557
CAN. 5538

JUL 15 2004

drawing no. W04-37	date: 05-09-04	revisions: no date by description A 07.09.04 REV. PER BCCO COMMENTS	SERIES RD45 ALUM ENTRANCE DOOR (L.M.I.) R.C. ALUMINUM INDUSTRIES INC. 2805 N.W. 75 TH AVE. MIAMI, FL. 33122 TEL. (305) 592-1515 FAX. (305) 592-2184	AL-FAROOQ CORPORATION ENGINEERS, PLANNERS & PRODUCT DESIGN 1235 SW 87 AVE MIAMI, FLORIDA 33174 TEL. (305) 264-8100 FAX. (305) 262-6978	
	scale: 3/8" = 1"				



Approved as complying with the
 Florida Building Code
 Date: 08/19/04
 NOAH/DA/0608.03
 Miami/Dade/Product Control
 Division
 By: *[Signature]*

Engr. DR. HUMAYUN FAROOQ
 STRUCTURES
 FLA. PE # 16557
 C.A.N. 5538
 JUL 15 2004

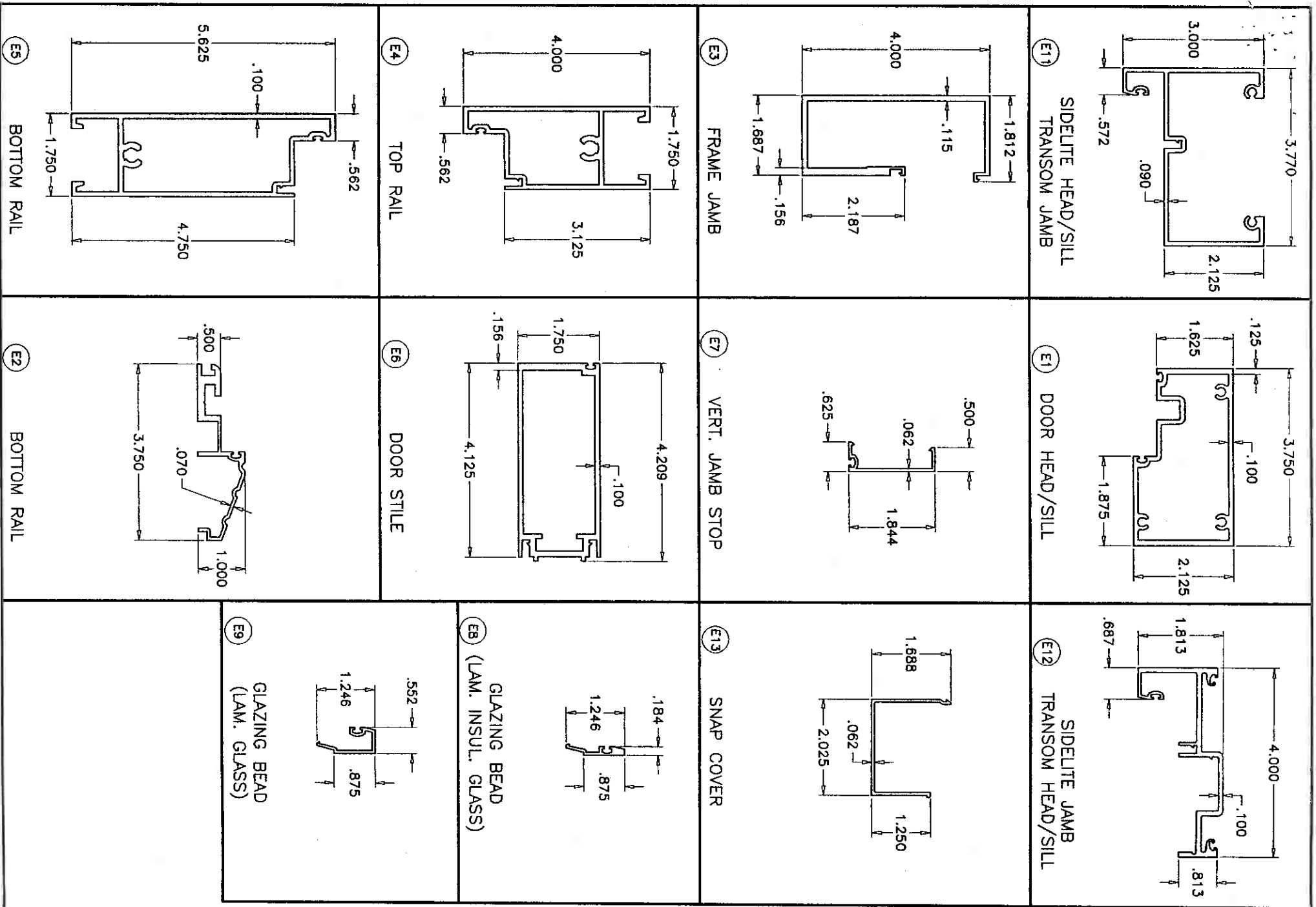
date: 05-09-04
 scale: 3/8" = 1"
 dr. by: HAMID
 chk. by:

revisions:		
no	date	description
A	07.09.04	REV. PER BCCO COMMENTS

SERIES RD45 ALUM ENTRANCE DOOR (L.M.I.)
R.C. ALUMINUM INDUSTRIES INC.
 2805 N.W. 75 TH AVE.
 MIAMI, FL. 33122
 TEL. (305) 592-1515 FAX. (305) 592-2184

AL-FAROOQ CORPORATION
 ENGINEERS, PLANNERS & PRODUCT DESIGN
 1235 SW 87 AVE
 MIAMI, FLORIDA 33174
 TEL. (305) 264-8100 FAX. (305) 262-6978
 COMP-ANL\W04-37RC





ITEM #	NUMBER	REQD.	DESCRIPTION	MATERIAL	MANF./SUPPLIER/REMARKS
E1	RD45-003	1	FRAME HEAD	6063-T6	-
E2	RD45-008	1	FRAME SILL	6063-T6	-
E3	RD45-001	2	FRAME JAMB	6063-T6	-
E4	RD45-004	1/LEAF	TOP RAIL	6063-T6	-
E5	RD45-005	1/LEAF	BOTTOM RAIL	6063-T6	-
E6	RD45-006	2/LEAF	DOOR STYLE	6005-T5	-
E7	RD45-002	2	VERTICAL JAMB STOP	6063-T6	-
E8	RD45-010	AS RECD.	GLAZING BEAD (LAM. INSUL. GLASS)	6063-T6	-
E9	RD45-007	AS RECD.	GLAZING BEAD (LAM. GLASS)	6063-T6	-
E11	RD45-014	AS RECD.	JAMBS AT TRANSOM AND HEAD/SILL ● SIDE LITE	6063-T6	-
E12	RD45-015	AS RECD.	JAMB AT SIDE LITE, HEAD/SILL AT TRANSOM	6063-T6	-
E13	RD45-016	AS RECD.	SNAP COVER	-	-
E15	-	AS RECD.	ANCHOR CLIP	6063-T6	2" X 4" X 1/4"
M1	RD45-M01	4/LEAF	HINGE ASSEMBLY	6005-T5	-
M5	RD45-M05	4/LEAF	HINGE SUPPORT TUBE, 3-1/2" LONG	6063-T6	1 PER HINGE
M6	RD45-M06	2	SILL SUPPORT	6063-T6	2 PER DOOR
M20	-	-	3/16" X 3/4" X 4" SETTING BLOCK.	-	6" FROM EACH END
M21	-	-	1/2" X 3/4" X 4" SETTING BLOCK.	-	6" FROM EACH END & MIDSPAN
M24	RD45-M13	4/LEAF	HANDICAP OFFSET HINGE ASSEMBLY	6005-T5	-
V1	Q375T270		DOOR W/STRIPPING	FOAM	Q-LON
V2	V-059		OFFSET BULB VINYL WSTP.	PVC	
V4	V-009		BULB W/STRIPPING	PVC	WIBORG, W-3289
S1		AS RECD.	#10 X 3/4" LG. PHIL. F.H. SMS.	ST/ST	3 PER SILL SUPPORT
S2		AS RECD.	#3/8"-16 X 2" LG. FULL THREAD HX.HD.	-	1 PER CONER
S3		9/ HINGE	#12 - 24 X 3/4" LG. PHIL. F.H. MACHINE SCREW	ST/ST	HINGE INSTALLATION SCREWS
S6		AS RECD.	#12 X 1" LG. PHIL. SMS.	ST/ST	ASSEMBLY FASTENERS
S8			#12 X 3/4" SMS, F.H.	-	1 PER EACH HINGE ● JAMB
S10	ASSEMBLY		#14 X 1" LG. PHL. SMS P.H. TYPE B ST/ST.	-	20 PER WINDOW

Approved as complying with the Florida Building Code
 Date: 08/19/04
 NOAH: 04-040803
 Miami-Dade Product Control Division
 By: *[Signature]*

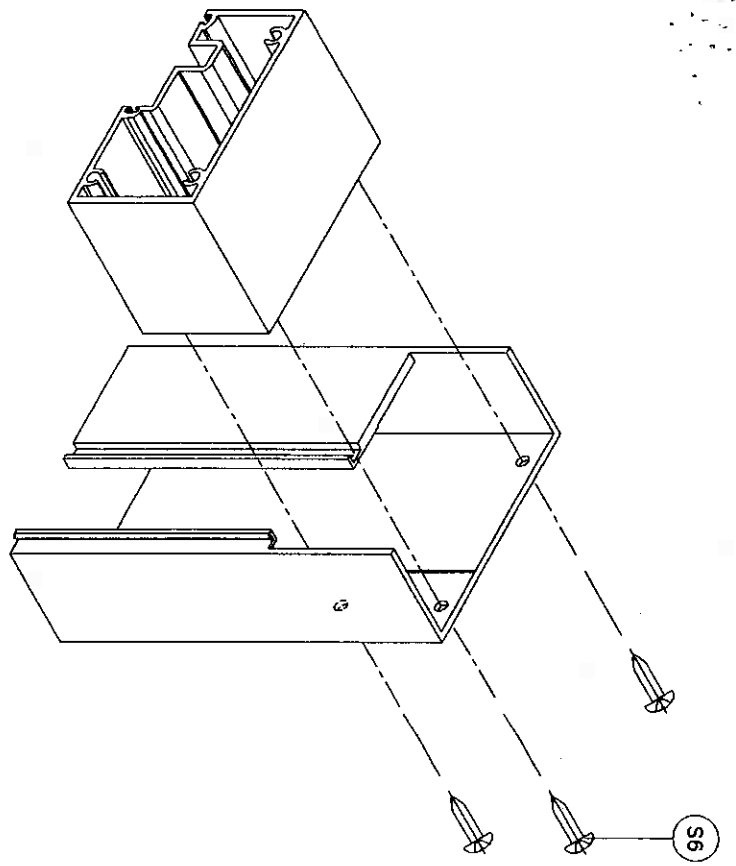
Engr. DR. HUYANQIAN FAROOQ
 STRUCTURES
 FLA. PE # 16557
 C.A.N. 3536

DATE 15 2004

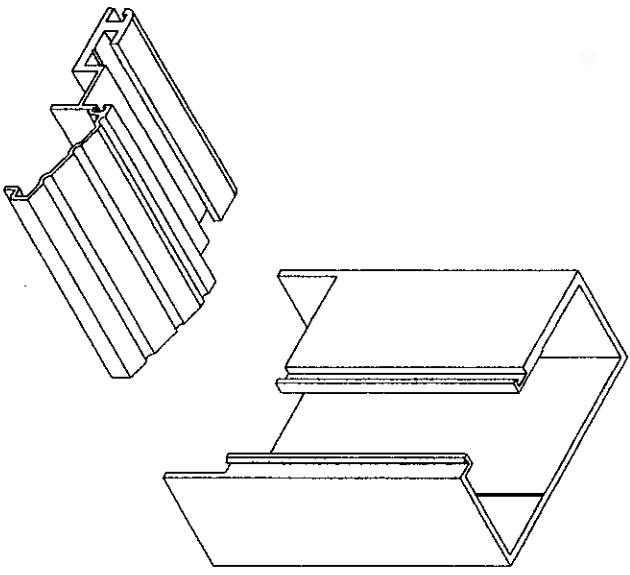
date: 05-09-04	revisions:
scale: 3/8" = 1"	no date by description
dr. by: HAMID	A 07.09.04 NO CHANGE THIS SHEET
chk. by:	

SERIES RD45 ALUM ENTRANCE DOOR (L.M.I.)
R.C. ALUMINUM INDUSTRIES INC.
 2805 N.W. 75 TH AVE.
 MIAMI, FL. 33122
 TEL. (305) 592-1515 FAX. (305) 592-2184

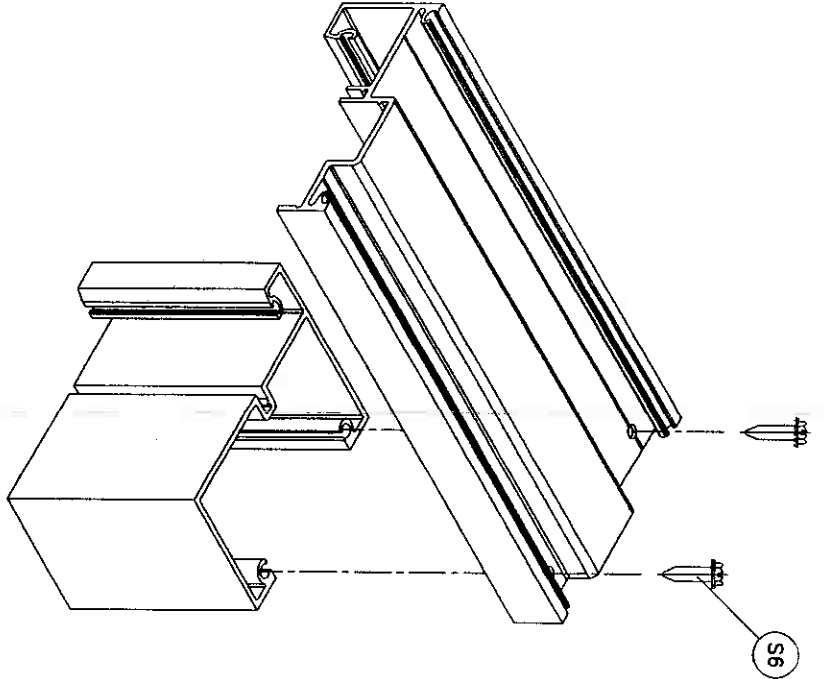
AL-FAROOQ CORPORATION
 ENGINEERS, PLANNERS & PRODUCT DESIGN
 1235 SW 87 AVE
 MIAMI, FLORIDA 33174
 TEL. (305) 264-8100 FAX. (305) 262-6978
 COMP-ANL/W04-37RC



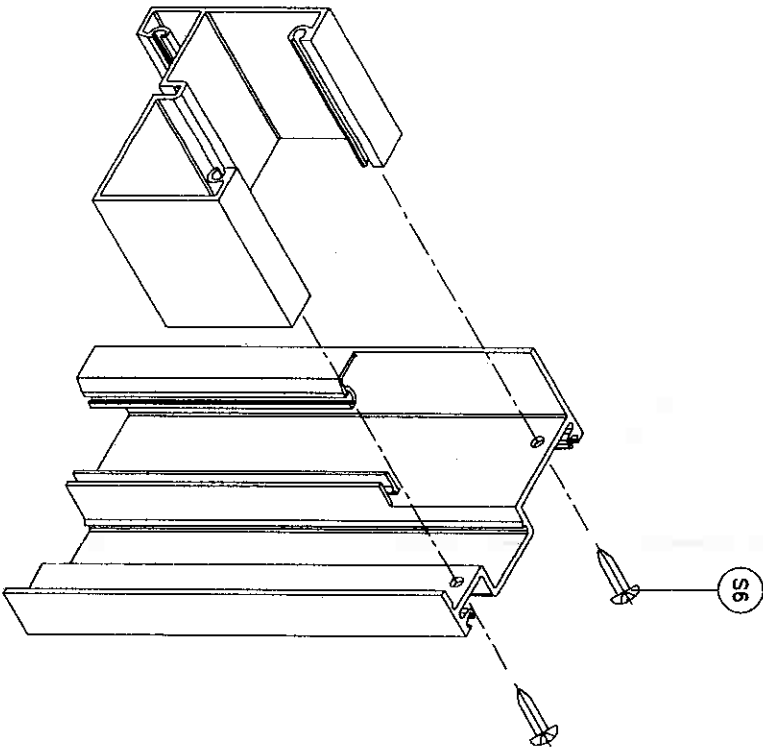
DOOR TOP CORNER



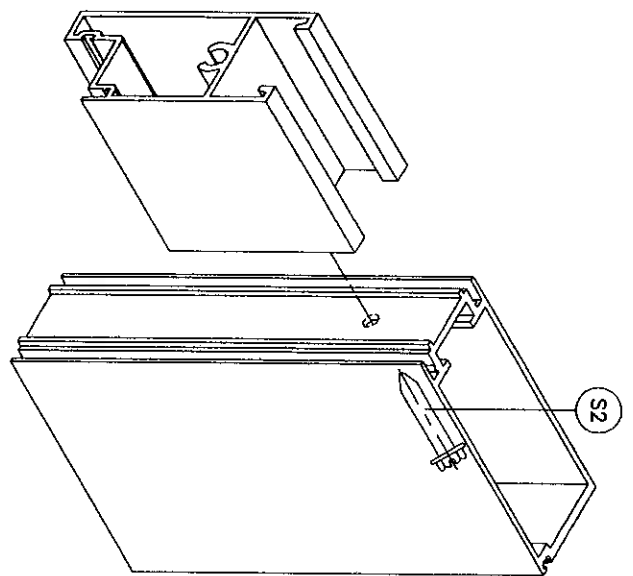
DOOR BOTTOM CORNER



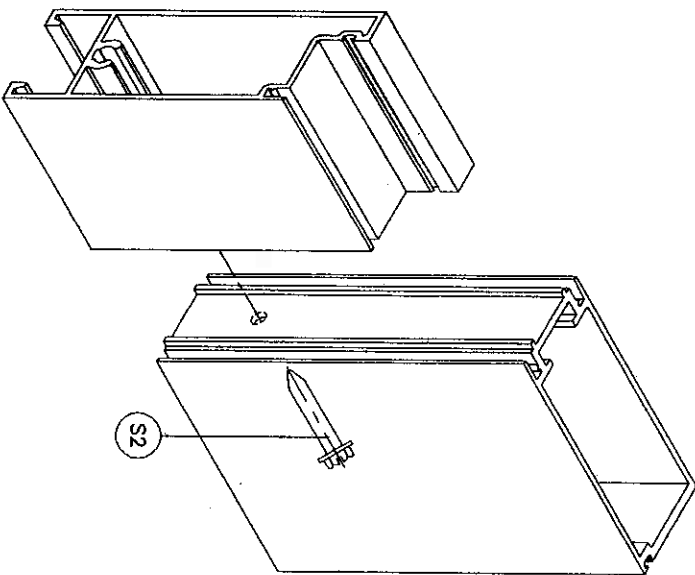
TRANSOM TOP/BOTTOM CORNER



SIDELITE TOP/BOTTOM CORNER



LEAF TOP CORNER



LEAF BOTTOM CORNER

Approved as complying with the
 Florida Building Code
 Date 08/19/04
 NOA# 05-002803
 Miami Trade Product Control
 Division
 By *[Signature]*

Eng: DR. HILAYOUN FAROOQ
 STRUCTURES
 FLA. PE # 16957
 CAN. 5638

JUL 15 2004

date: 05-09-04	revisions: <table border="1"> <thead> <tr> <th>no</th> <th>date</th> <th>by</th> <th>description</th> </tr> </thead> <tbody> <tr> <td>A</td> <td>07.09.04</td> <td></td> <td>NO CHANGE THIS SHEET</td> </tr> <tr> <td></td> <td></td> <td></td> <td></td> </tr> <tr> <td></td> <td></td> <td></td> <td></td> </tr> </tbody> </table>	no	date	by	description	A	07.09.04		NO CHANGE THIS SHEET								
no		date	by	description													
A		07.09.04		NO CHANGE THIS SHEET													
scale: 3/8" = 1"																	
dr. by: HAMID																	
chk. by:																	

drawing no. **W04-37**
 Sheet 7 of 7

SERIES RD45 ALUM ENTRANCE DOOR (L.M.I.)
R.C. ALUMINUM INDUSTRIES INC.
 2805 N.W. 75 TH AVE.
 MIAMI, FL. 33122
 TEL. (305) 592-1515 FAX. (305) 592-2184

AL-FAROOQ CORPORATION
 ENGINEERS, PLANNERS & PRODUCT DESIGN
 1235 SW 87 AVE
 MIAMI, FLORIDA 33174
 TEL. (305) 264-8100 FAX. (305) 262-6978
 COMP-ANL\W04-37RC

