



**BUILDING CODE COMPLIANCE OFFICE (BCCO)  
PRODUCT CONTROL DIVISION**

**MIAMI-DADE COUNTY, FLORIDA  
METRO-DADE FLAGLER BUILDING  
140 WEST FLAGLER STREET, SUITE 1603  
MIAMI, FLORIDA 33130-1563  
(305) 375-2901 FAX (305) 375-2908**

**NOTICE OF ACCEPTANCE (NOA)**

**R.C. Aluminum Industries, Inc.  
2085 NW 75<sup>th</sup> Ave  
Miami, FL 33122**

RECEIVED JUN 28 2004

**SCOPE:**

This NOA is being issued under the applicable rules and regulations governing the use of construction materials. The documentation submitted has been reviewed by Miami-Dade County Product Control Division and accepted by the Board of Rules and Appeals (BORA) to be used in Miami Dade County and other areas where allowed by the Authority Having Jurisdiction (AHJ).

This NOA shall not be valid after the expiration date stated below. The Miami-Dade County Product Control Division (In Miami Dade County) and/or the AHJ (in areas other than Miami Dade County) reserve the right to have this product or material tested for quality assurance purposes. If this product or material fails to perform in the accepted manner, the manufacturer will incur the expense of such testing and the AHJ may immediately revoke, modify, or suspend the use of such product or material within their jurisdiction. BORA reserves the right to revoke this acceptance, if it is determined by Miami-Dade County Product Control Division that this product or material fails to meet the requirements of the applicable building code.

This product is approved as described herein, and has been designed to comply with the Florida Building Code, including the High Velocity Hurricane Zone.

**DESCRIPTION: Series RS100 Aluminum Single Hung Window**

**APPROVAL DOCUMENT:** Drawing No. **W04-19**, titled "Series RS100 Alum Single Hung Window (L.M.I.)", sheets 1 through 4 of 4, prepared by AL-Farooq Corporation, dated 03/09/04 with revision "A" on 05/19/04, signed and sealed by Humayoun Farooq, P.E., bearing the Miami-Dade County Product Control Approval stamp with the Notice of Acceptance number and approval date by the Miami-Dade County Product Control Division.

**MISSILE IMPACT RATING: Large and Small Missile Impact**

**LABELING:** Each unit shall bear a permanent label with the manufacturer's name or logo, city, state and following statement: "Miami-Dade County Product Control Approved", unless otherwise noted herein.

**RENEWAL** of this NOA shall be considered after a renewal application has been filed and there has been no change in the applicable building code negatively affecting the performance of this product.

**TERMINATION** of this NOA will occur after the expiration date or if there has been a revision or change in the materials, use, and/or manufacture of the product or process. Misuse of this NOA as an endorsement of any product, for sales, advertising or any other purposes shall automatically terminate this NOA. Failure to comply with any section of this NOA shall be cause for termination and removal of NOA.

**ADVERTISEMENT:** The NOA number preceded by the words Miami-Dade County, Florida, and followed by the expiration date may be displayed in advertising literature. If any portion of the NOA is displayed, then it shall be done in its entirety.

**INSPECTION:** A copy of this entire NOA shall be provided to the user by the manufacturer or its distributors and shall be available for inspection at the job site at the request of the Building Official.

This NOA consists of this page 1 and evidence pages E-1 and E-2, as well as approval document mentioned above.

The submitted documentation was reviewed by **Theodore Berman, P.E.**

Handwritten signature and date 6/4/2004 next to a circular stamp that reads "PRODUCT CONTROL DIVISION ACCEPTED".

**NOA No 04-0421.02  
Expiration Date: June 24, 2009  
Approval Date: June 24, 2004  
Page 1**

**R.C. Aluminum Industries, Inc.**

**NOTICE OF ACCEPTANCE: EVIDENCE SUBMITTED**

**A. DRAWINGS**

1. Manufacturer's die drawings and sections.
2. Drawing No. **W04-19**, titled "Series RS100 Alum Single Hung Window (L.M.I.)", sheets 1 through 4 of 4, prepared by AL-Farooq Corporation, dated 03/09/04 with revision "A" on 05/19/04, signed and sealed by Humayoun Farooq, P.E.

**B. TESTS**

1. Test reports on 1) Air Infiltration Test, per FBC, TAS 202-94  
2) Uniform Static Air Pressure Test, Loading per FBC, TAS 20294  
3) Water Resistance Test, per FBC, TAS 202-94  
4) Large Missile Impact Test per FBC, TAS 201-94  
5) Cyclic Wind Pressure Loading per FBC, TAS 203-94  
6) Forced Entry Test, per FBC 2411.3.2.1 and TAS 202-94  
along with marked-up drawings and installation diagram of an aluminum sliding glass door, prepared by Fenestration Testing Laboratories, Inc. Test Report No. **FTL-4024** dated 01/14/04, signed and sealed by Edmundo J. Largaespada, P.E.
2. Test reports on 1) Air Infiltration Test, per FBC, TAS 202-94  
2) Uniform Static Air Pressure Test, Loading per FBC, TAS 20294  
3) Water Resistance Test, per FBC, TAS 202-94  
4) Large Missile Impact Test per FBC, TAS 201-94  
5) Cyclic Wind Pressure Loading per FBC, TAS 203-94  
6) Forced Entry Test, per FBC 2411.3.2.1 and TAS 202-94  
along with marked-up drawings and installation diagram of an aluminum sliding glass door, prepared by Fenestration Testing Laboratories, Inc. Test Report No. **FTL-4005** dated 01/14/04, signed and sealed by Edmundo J. Largaespada, P.E.

**C. CALCULATIONS**

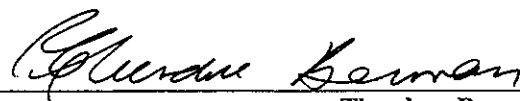
1. Anchor Calculations, ASTM E-1300, and structural analysis, prepared by AL-Farooq Corporation, dated 04/06/04, signed and sealed by Humayoun Farooq, P.E.

**D. QUALITY ASSURANCE**

1. Miami Dade Building Code Compliance Office (BCCO).

**E. MATERIAL CERTIFICATIONS**

1. Notice of Acceptance No. **00-1212.04** issued to "E.I. Dupont DeNemours" for "Dupont Butacite @ PVB" dated 02/15/01 and expiring on 12/11/05"



Theodore Berman, P.E.  
Deputy Director, Product Control Division  
NOA No 04-0421.02  
Expiration Date: June 24, 2009  
Approval Date: June 24, 2004

**R.C. Aluminum Industries, Inc.**

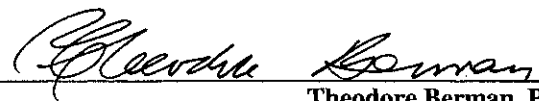
**NOTICE OF ACCEPTANCE: EVIDENCE SUBMITTED**

**F. STATEMENTS**

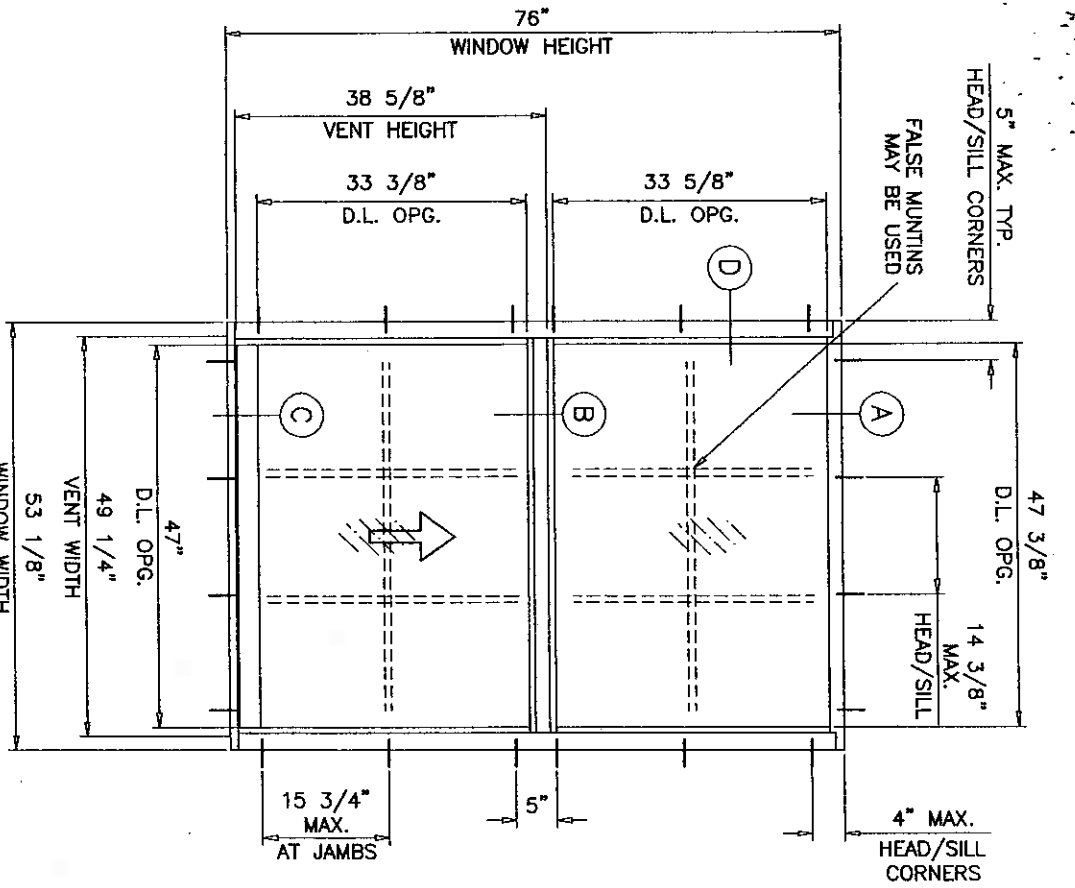
1. Statement letter of no financial interest, dated 04/08/04, signed and sealed by Humayoun Farooq, P.E.
2. Statement Letter of conformance dated 04/08/04, signed and sealed by Humayoun Farooq, P.E.

**G. OTHER**

1. Letter from consultant stating that the product is in compliance with the Florida Building Code (FBC).



Theodore Berman, P.E.  
Deputy Director, Product Control Division  
NOA No 04-0421.02  
Expiration Date: June 24, 2009  
Approval Date: June 24, 2004



THESE WINDOWS ARE RATED FOR LARGE MISSILE IMPACT. SHUTTERS ARE NOT REQUIRED.

**RS100 ALUM SINGLE HUNG WINDOW**

DESIGN LOAD RATINGS FOR THESE WINDOWS TO BE AS PER CHART SHOWN ABOVE.

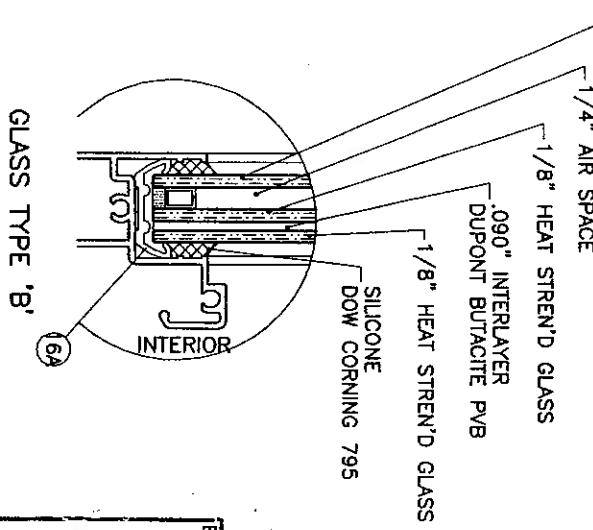
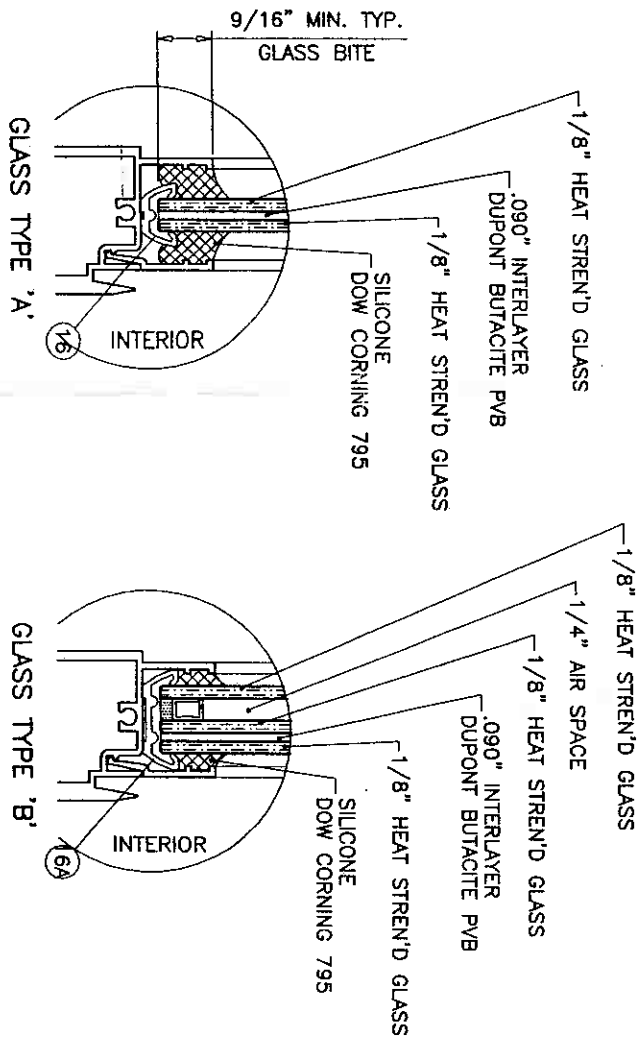
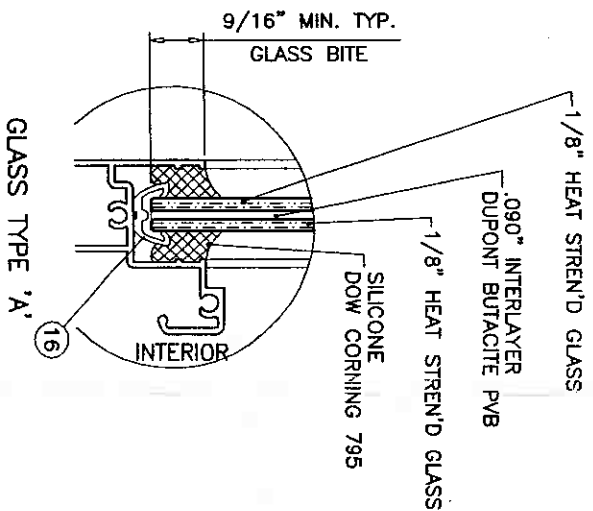
APPROVAL APPLIES TO SINGLE UNITS OR SIDE BY SIDE COMBINATIONS OF S.H./S.H. OR S.H. WITH OTHER WINDOW TYPES IN MODULES OF TWO OR MORE WINDOWS USING APPROVED MULLIONS.

THIS PRODUCT IS DESIGNED TO COMPLY WITH THE HIGH VELOCITY HURRICANE ZONE OF THE 2001 FLORIDA BUILDING CODE.

WOOD BUCKS BY OTHERS, MUST BE ANCHORED PROPERLY TO TRANSFER LOADS TO THE STRUCTURE.

ANCHORS SHALL BE AS LISTED, SPACED AS SHOWN ON DETAILS. ANCHOR EMBEDMENT TO BASE MATERIAL SHALL BE BEYOND WALL DRESSING OR STUCCO.

ANCHORING OR LOADING CONDITIONS NOT SHOWN IN THESE DETAILS ARE NOT PART OF THIS APPROVAL.



**GLAZING OPTIONS**

DESIGN LOAD CAPACITY - PSP		GLASS TYPE 'A' & 'B'	
WINDOW DIMS.	HEIGHT	EXT (+)	INT (-)
19-1/8"	26"	80.0	80.0
26-1/2"	26"	80.0	80.0
37"	(4)	80.0	80.0
48"	(4)	80.0	80.0
53-1/8"		80.0	80.0
19-1/8"		80.0	80.0
26-1/2"	38-3/8"	80.0	80.0
37"	50-5/8"	80.0	80.0
48"	(6)	80.0	80.0
53-1/8"		80.0	80.0
19-1/8"		80.0	80.0
26-1/2"	58"	80.0	80.0
37"	(6)	80.0	80.0
48"		80.0	80.0
53-1/8"		80.0	80.0
19-1/8"		80.0	80.0
26-1/2"	63"	80.0	80.0
37"	(6)	80.0	80.0
48"		80.0	80.0
53-1/8"		80.0	80.0
19-1/8"		80.0	80.0
26-1/2"	74-1/4"	80.0	80.0
37"	(6)	80.0	80.0
48"		80.0	80.0
53-1/8"		80.0	80.0
19-1/8"		80.0	80.0
26-1/2"	76"	80.0	80.0
37"	(6)	80.0	80.0
48"		80.0	80.0
53-1/8"		80.0	80.0

\* NO. IN PARENTHESIS INDICATE NO. OF ANCHORS PER JAMB.

Approved as complying with the Florida Building Code  
 Date 05.19.04  
 NOAH Miami Dade Product Control  
 Division By *[Signature]*

Engr: DR. HILMA/OUN FAROOQ

STRUCTURES  
 F.L.A. PE # 16557  
 C.A.N. # 3538

MAY 20 2004

no	date	by	description
A	05.19.04		NO CHANGE THIS SHEET

date: 03-09-04  
 scale: 1/2"=1'-0"  
 dr. by: HAMID  
 chk. by:

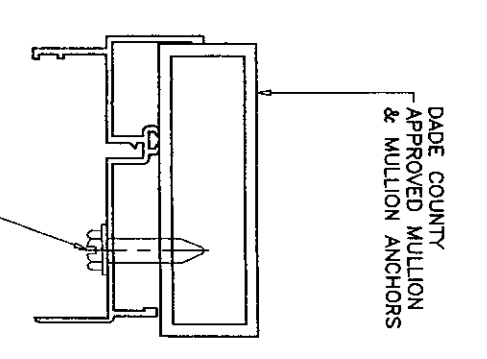
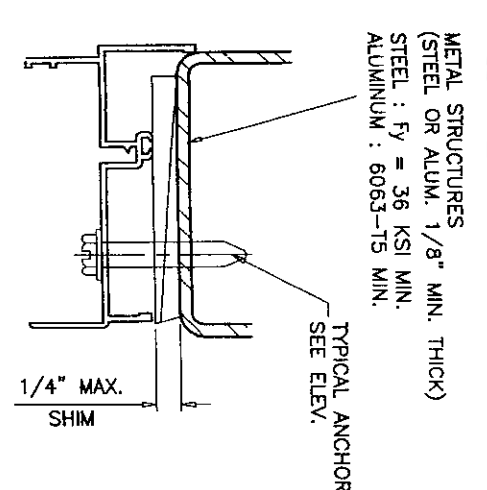
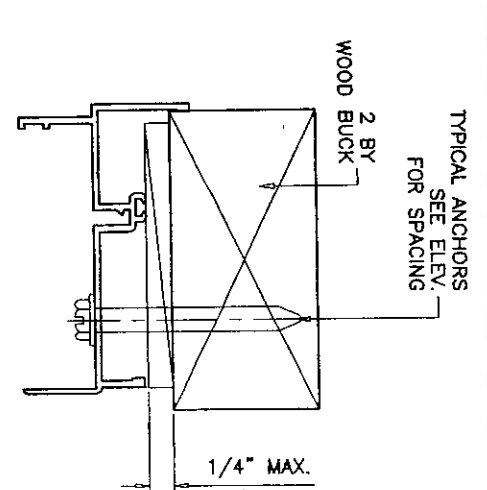
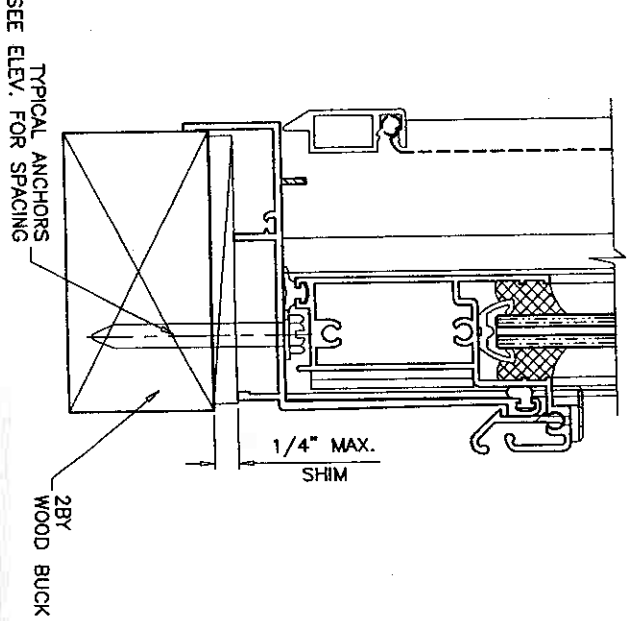
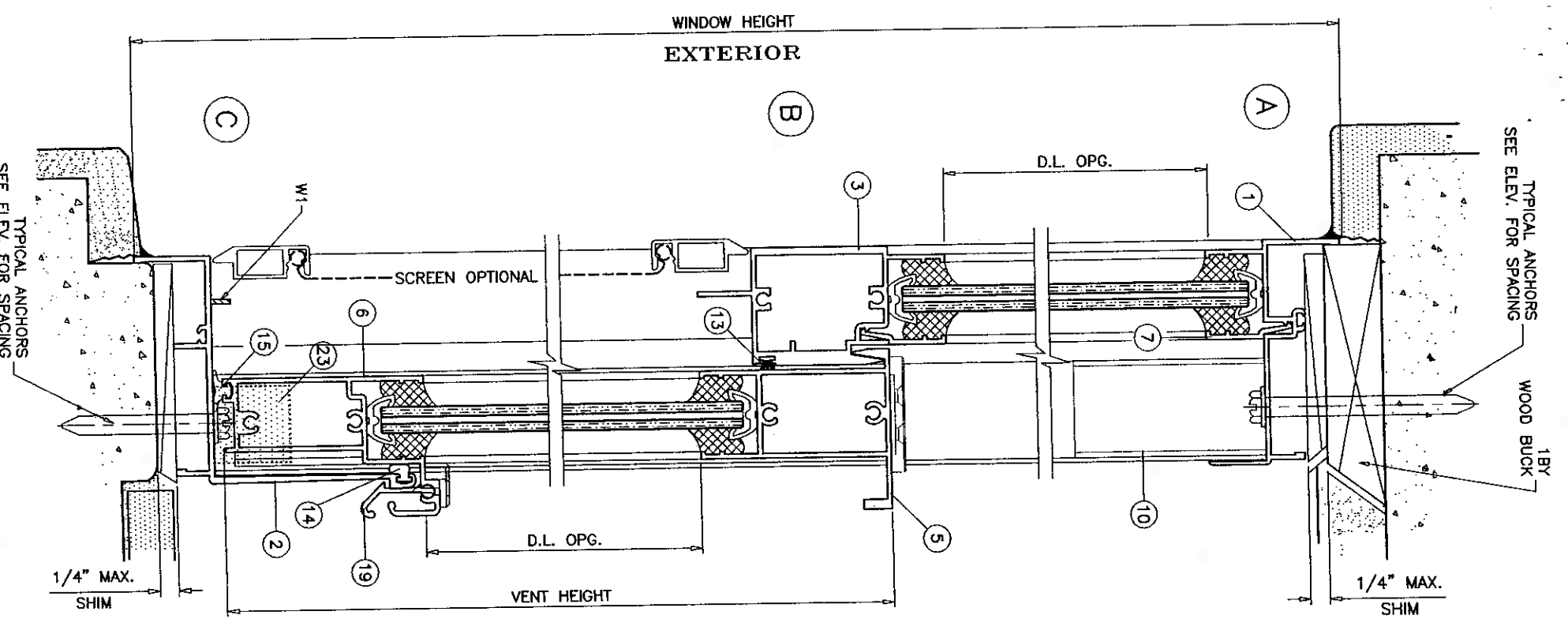
RS100 ALUM SINGLE HUNG WINDOW (L.M.I.)  
**R.C. ALUMINUM INDUSTRIES INC.**  
 2805 N.W. 75 TH AVE.  
 MIAMI, FL. 33122  
 TEL. (305) 592-1515 FAX. (305) 592-2184

**AL-FAROOQ CORPORATION**  
 ENGINEERS, PLANNERS & PRODUCT DESIGN  
 1235 SW 87 AVE  
 MIAMI, FLORIDA 33174  
 TEL. (305) 264-8100 FAX. (305) 262-6978



COMP-ANL\W04-19RC

drawing no. **W04-19**  
 sheet 1 of 4



WOOD BUCKS NOT BY RC ALUMINUM, MUST SUSTAIN LOADS IMPOSED BY GLAZING SYSTEM AND TRANSFER THEM TO THE BUILDING STRUCTURE.

TYPICAL ANCHORS: SEE ELEV. FOR SPACING

**1/4" HILTI KWIK-CON II**  
 INTO WOOD STRUCTURES WITH 1-1/2" MIN. PENETRATION INTO WOOD THRU WOOD BUCKS INTO MASONRY WITH 1-1/4" MIN. EMBED INTO CONC. OR MASONRY

**1/4" HILTI KWIK-CON II**  
 DIRECTLY INTO MASONRY WITH 1-1/4" MIN. EMBED INTO MASONRY

**1/4"-20 KWIK-FLEX SELF DRILLING SCREWS BY 'HILTI'**  
 INTO METAL STRUCTURES (STEEL OR ALUMINUM 1/8" MIN. THICK.)

STEEL : Fy = 36 KSI MIN.  
 ALUMINUM : 6063-T5 MIN.

**TYPICAL EDGE DISTANCE**  
 INTO CONCRETE AND MASONRY = 3" MIN.  
 INTO WOOD STRUCTURE = 1" MIN.

**SEALANT:**  
 ALL FRAME AND VENT CORNERS AND INSTALLATION SCREWS SEALED WITH SILICONE.

**WEEPHOLES:**  
 W1 = 1" WEEP NOTCH AT EACH END

Approved as complying with the Florida Building Code  
 Date 06/24/04  
 NOA# 04-0421-02  
 Miami Dade Product Control  
 Division  
 By *Stavros Karaman*

Engr. DR. HILMAYOUN FAROOQ  
 STRUCTURES  
 FLA. PE # 16557  
 C.A.N. 3538  
 MAY 20 2004

date: 03-09-04  
 scale: 1/2" = 1"  
 dr. by: HAMID  
 chk. by:

revisions:			
no	date	by	description
A	05.19.04		REV. PER BCCO COMMENTS

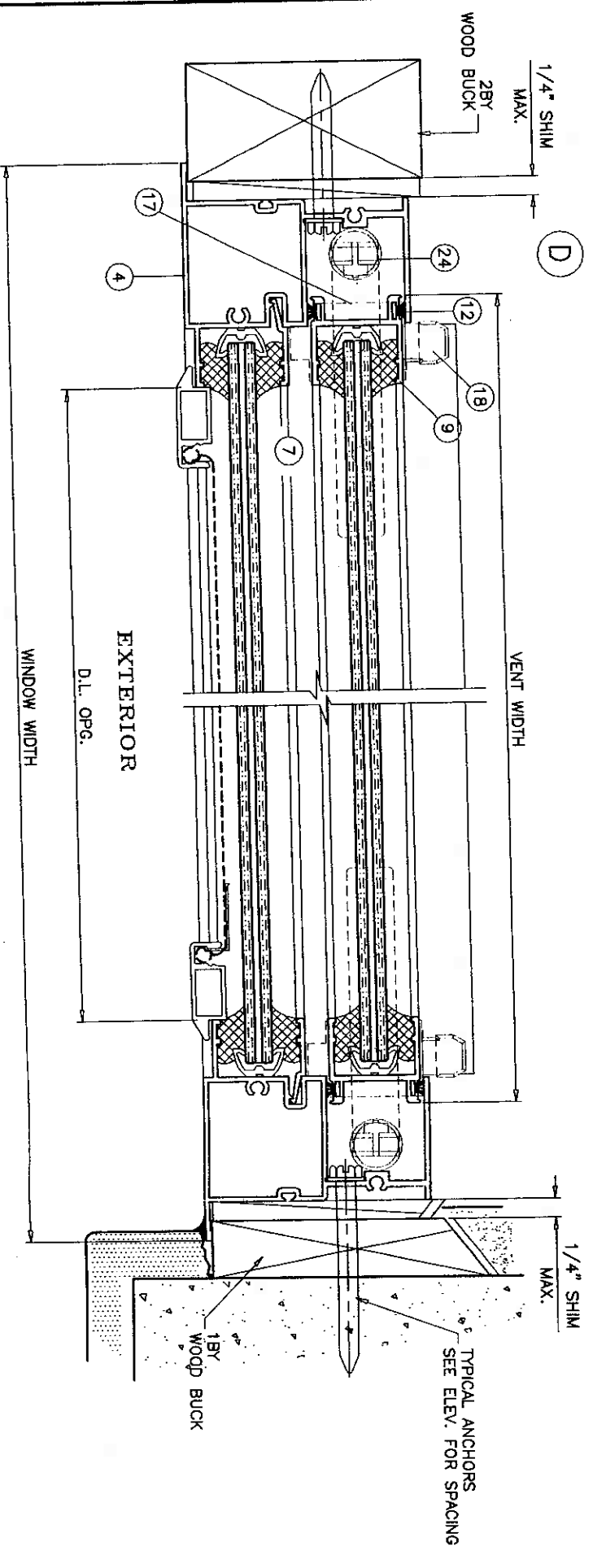
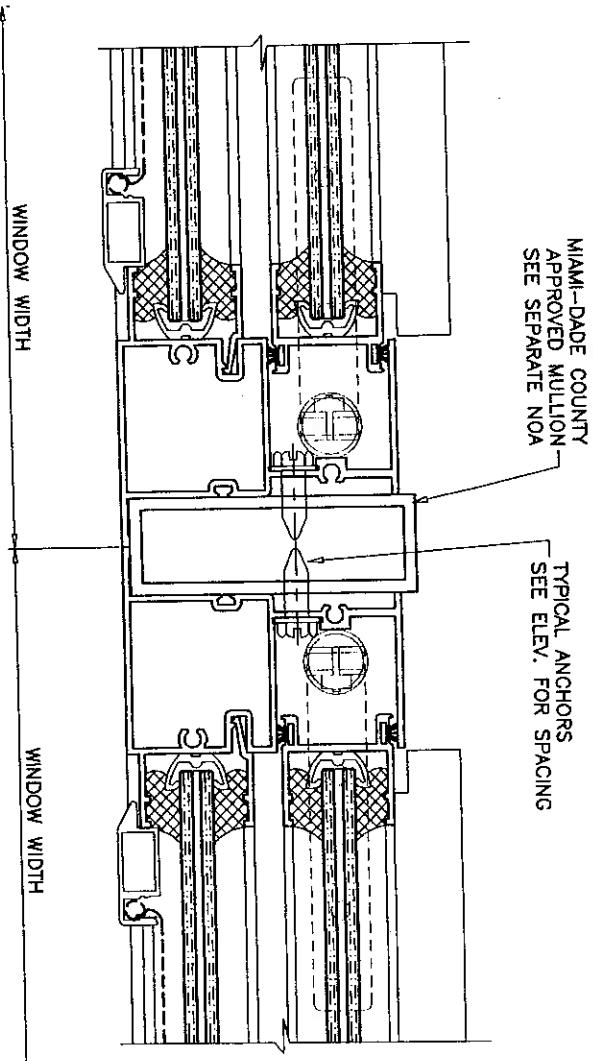
RS100 ALUM SINGLE HUNG WINDOW (L.M.I.)  
**R.C. ALUMINUM INDUSTRIES INC.**  
 2805 N.W. 75 TH AVE.  
 MIAMI, FL. 33122  
 TEL. (305) 592-1515 FAX. (305) 592-2184

**AL-FAROOQ CORPORATION**  
 ENGINEERS, PLANNERS & PRODUCT DESIGN  
 1235 SW 87 AVE  
 MIAMI, FLORIDA 33174  
 TEL. (305) 264-8100 FAX. (305) 262-6978  
 COMP-ANL\W04-19RC





ITEM #	PART #	REQD.	DESCRIPTION	MATERIAL	MANF./SUPPLIER/REMARKS
1	RS100-008	1	FRAME HEAD	6063-T6	-
2	RS100-007	1	FRAME SILL	6063-T6	-
3	RS100-004	1	MEETING RAIL	6063-T6	-
4	RS100-001	2	FRAME JAMB	6063-T6	-
5	RS100-003	1	VENT HEAD	-	-
6	RS100-006	1	VENT BOTTOM RAIL	6063-T6	-
7	500Y-007	AS REQD.	GLAZING BEAD	6063-T6	-
8	-	-	-	-	-
9	RS100-009	2	VENT SIDE RAIL	6063-T6	-
10	CHANNEL	2	VENT STOP 1-1/4" x 1-1/4" x 2-1/2"	-	-
11	-	-	-	-	-
12	W3323INK	4	WEATHER STRIPPING PILE (VENT JAMBS)	-	-
13	W3323INK	1	WEATHER STRIPPING PILE (MEETING RAIL)	-	-
14	Q-LON	1	Q-375 X 190 WHITE	-	-
15	V-033	1	WEATHER STRIPPING GASKET	NEOPRENE	-
16	V-054	1	VINYL LAM. GLASS	PVC	-
16A	V-055	1	VINYL LAM. INSUL. GLASS	PVC	-
17	P-020	2	VENT TOP GUIDE	NYLON	ATTACHED W/ #8 X 3/8" FH SMS
18	P-022	2	VENT BOTTOM GUIDE	NYLON	-
19	P-023	2	HANDICAP FINGER LOCK	RIGID VINYL	6" FROM EACH END
20	-	-	-	-	-
21	-	-	-	-	-
22	#10 X 1"	AS REQD.	FRAME ASSY. SCREWS	ST. STEEL	P.H. PHIL.
23	1" X 1" X 4" LG. FOAM PAD	2	-	-	-
24	ULTRA LIFT BALANCE # 23 X 30 LB	2	-	-	CADWELL
25	ULTRA LIFT NON TILT BRACKET	2	-	-	-
26	-	OPTIONAL	SCREEN	ALUMINUM	-



Approved as complying with the Florida Building Code  
 Date 03/24/04  
 NOA# 04-0021.02  
 Miami Dade Product Control  
 Division  
 By: *Muhammad Korman*

Eng'r: DR. HJUMAYOUN FAROOQ  
 STRUCTURES  
 FLA. P.E. # 16557  
 C.A.N. 5536

MAY 20 2004

date: 03-09-04  
 scale: 1/2" = 1"  
 dr. by: HAMID  
 chk. by:

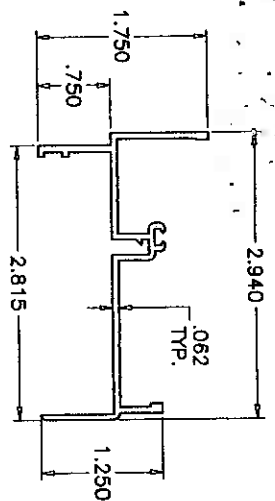
no	date	by	description
A	05.19.04		NO CHANGE THIS SHEET

RS100 ALUM SINGLE HUNG WINDOW (L.M.I.)  
**R.C. ALUMINUM INDUSTRIES INC.**  
 2805 N.W. 75 TH AVE.  
 MIAMI, FL. 33122  
 TEL. (305) 592-1515 FAX. (305) 592-2184

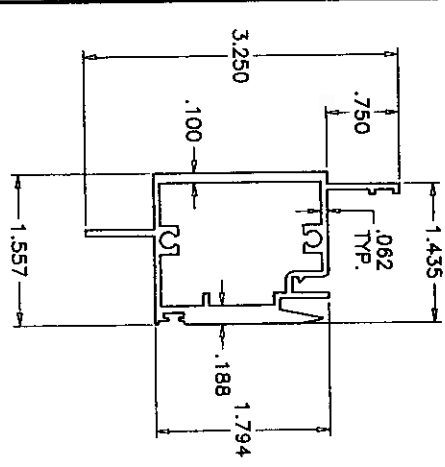
**AL-FAROOQ CORPORATION**  
 ENGINEERS, PLANNERS & PRODUCT DESIGN  
 1235 SW 87 AVE  
 MIAMI, FLORIDA 33174  
 TEL. (305) 264-8100 FAX. (305) 262-6978

COMP-ANL\W04-19RC

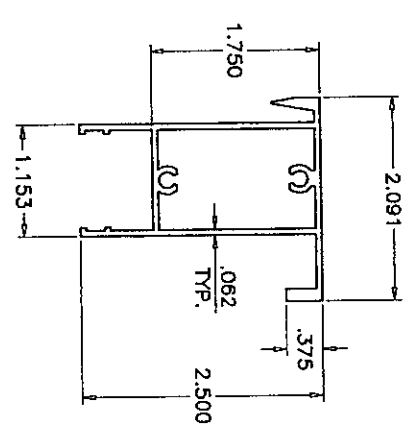
drawing no. **W04-19**  
 Sheet 3 of 4



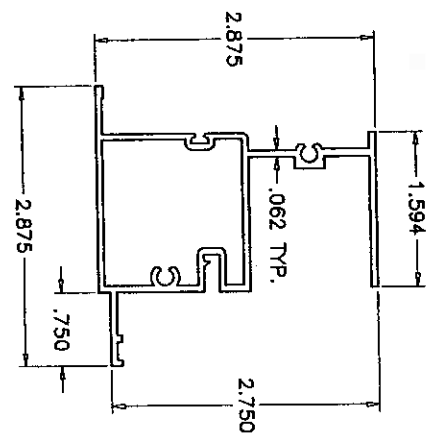
FRAME HEAD



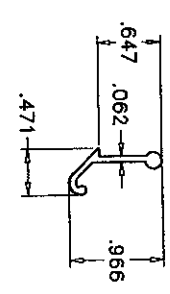
MEETING RAIL



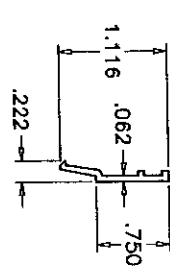
VENT TOP RAIL



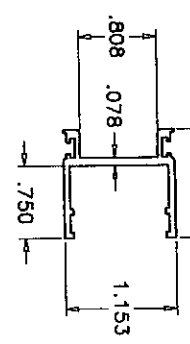
FRAME JAMB



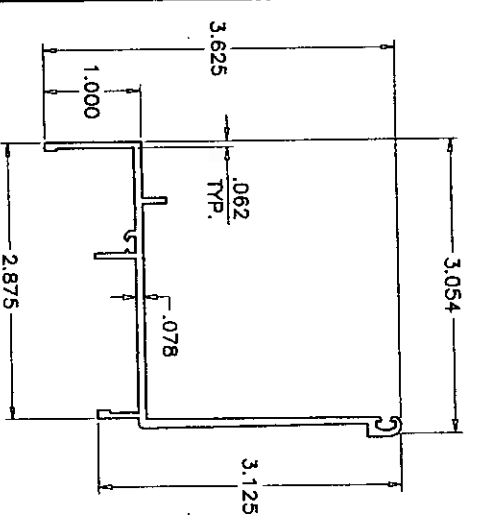
VENT LATCH



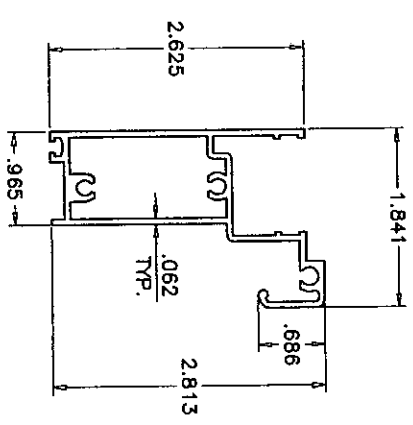
GLAZING BEAD



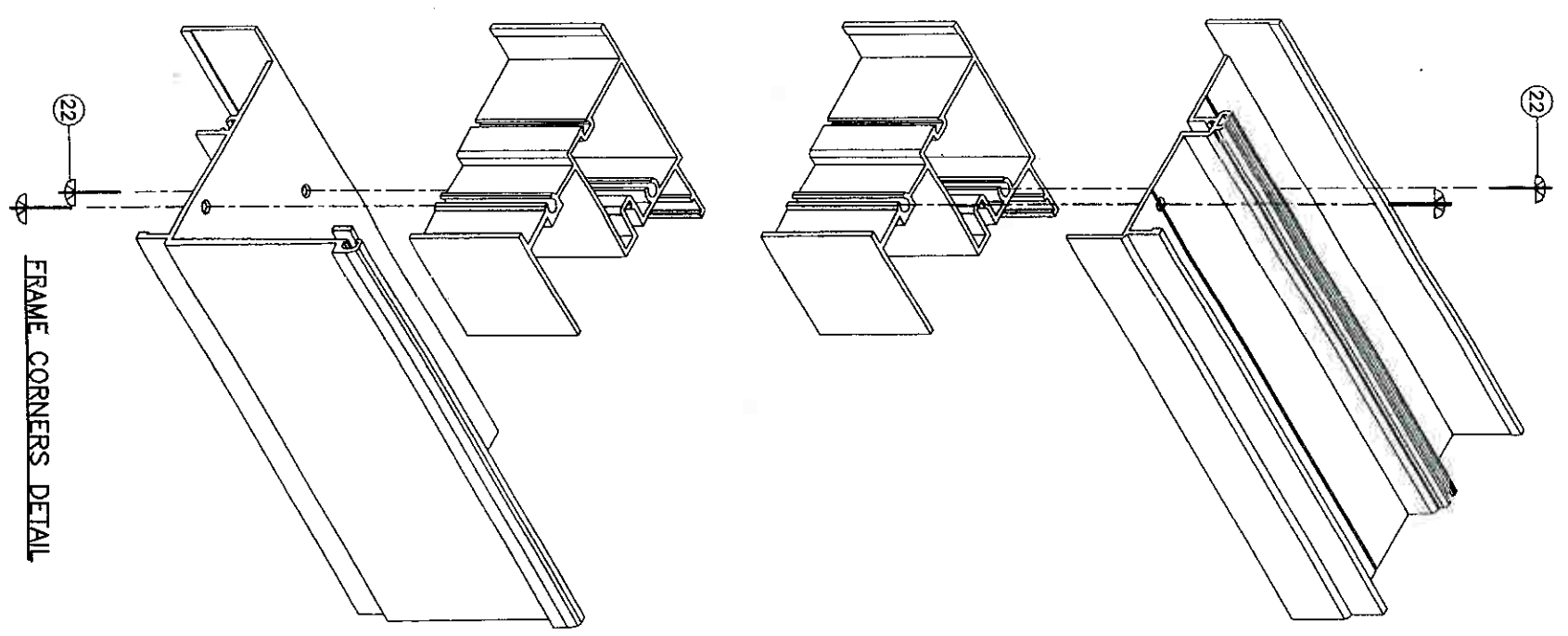
VENT SIDE RAIL



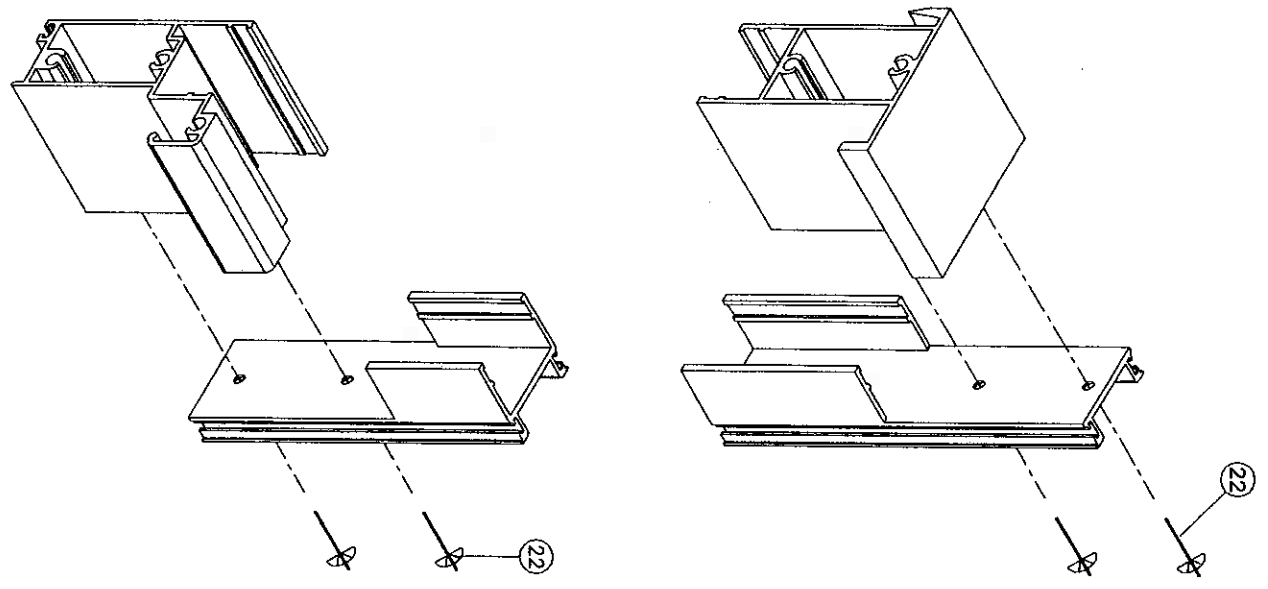
FRAME SILL



VENT BOTTOM RAIL



FRAME CORNERS DETAIL



VENT CORNER DETAIL

Approved as complying with the  
 Florida Building Code  
 Date 06/24/04  
 NOA# 04-021.02  
 Miami Trade Product Control  
 Division  
 By: *William Beaman*

Engr: DR. HUMAYOON FAROOQ  
 STRUCTURES  
 F.L.A. PE # 18557  
 C.A.N. 3538

MAY 20 2004

revisions:			
no	date	by	description
A	05.19.04		NO CHANGE THIS SHEET

RS100 ALUM SINGLE HUNG WINDOW (L.M.I.)  
**R.C. ALUMINUM INDUSTRIES INC.**  
 2805 N.W. 75 TH AVE.  
 MIAMI, FL. 33122  
 TEL. (305) 592-1515 FAX. (305) 592-2184

**AL-FAROOQ CORPORATION**  
 ENGINEERS, PLANNERS & PRODUCT DESIGN  
 1235 SW 87 AVE  
 MIAMI, FLORIDA 33174  
 TEL. (305) 264-8100 FAX. (305) 262-6978



COMP-ANL\W04-19RC

drawing no.  
**W04-19**  
 Sheet 4 of 4

date: 03-09-04  
 scale: 1/2" = 1"  
 dr. by: HAMID  
 chk. by: